

Le ModuloTM

MODULAR OFFICE FURNITURE



www.lemodulo.co.in

MANUFACTURER OF MODULAR OFFICE FURNITURE



A modern manufacturing facility with state of art machinery is typically designed to optimize productivity, precision, and efficiency.

Manufacturing Modular
furniture for offices

Design & Decoration
for Corporate Offices.

Turnkey Projects



Modular Workstations
Executive Tables
Metal Table
Conference Tables
Reception Table
Boss/M.D. Table
Cafeteria Table
Center Table
Educational Desks
Storages & Drawers

Modular Aluminium Partition
Toughened Glass Partition
UPVC Doors & Windows
False Ceilings
Electrical & Data Wiring
Communication
CCTv Solutions



Le Modolor Pvt. Ltd.

*specializes in manufacturing ready-to-install modular furniture for
Corporate offices & Commercial Retail Outlets*

Transform Your Office with **LE MODULOR**

At LE MODULOR, we believe your workspace should inspire creativity, collaboration, and comfort. That's why we specialize in creating high-quality, ergonomic office furniture tailored to your needs.

- *Customizable designs to match your unique office environment
- *Durable, sustainable materials for long-lasting use
- *Ergonomic solutions for comfort and well-being
- *Fast, reliable delivery and installation



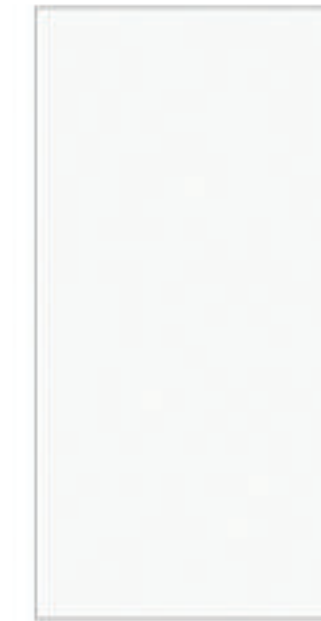
LINEAR MODULAR WORKSTATIONS



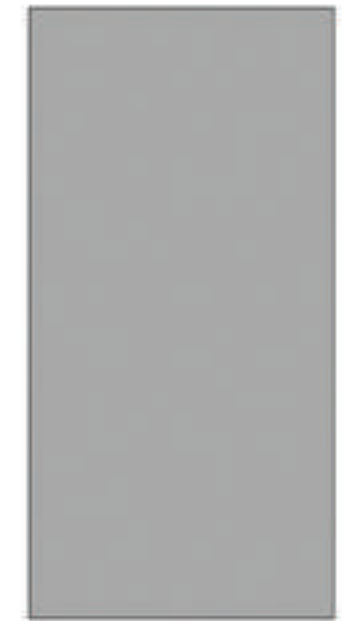
WOODEN / ALUMINIUM PARTITION SERIES



Laminate color



WHITE



GRAY



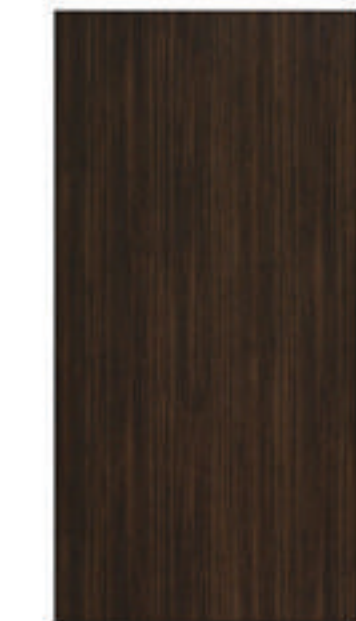
MAPPLE



ASHCANDIC



NOGARD

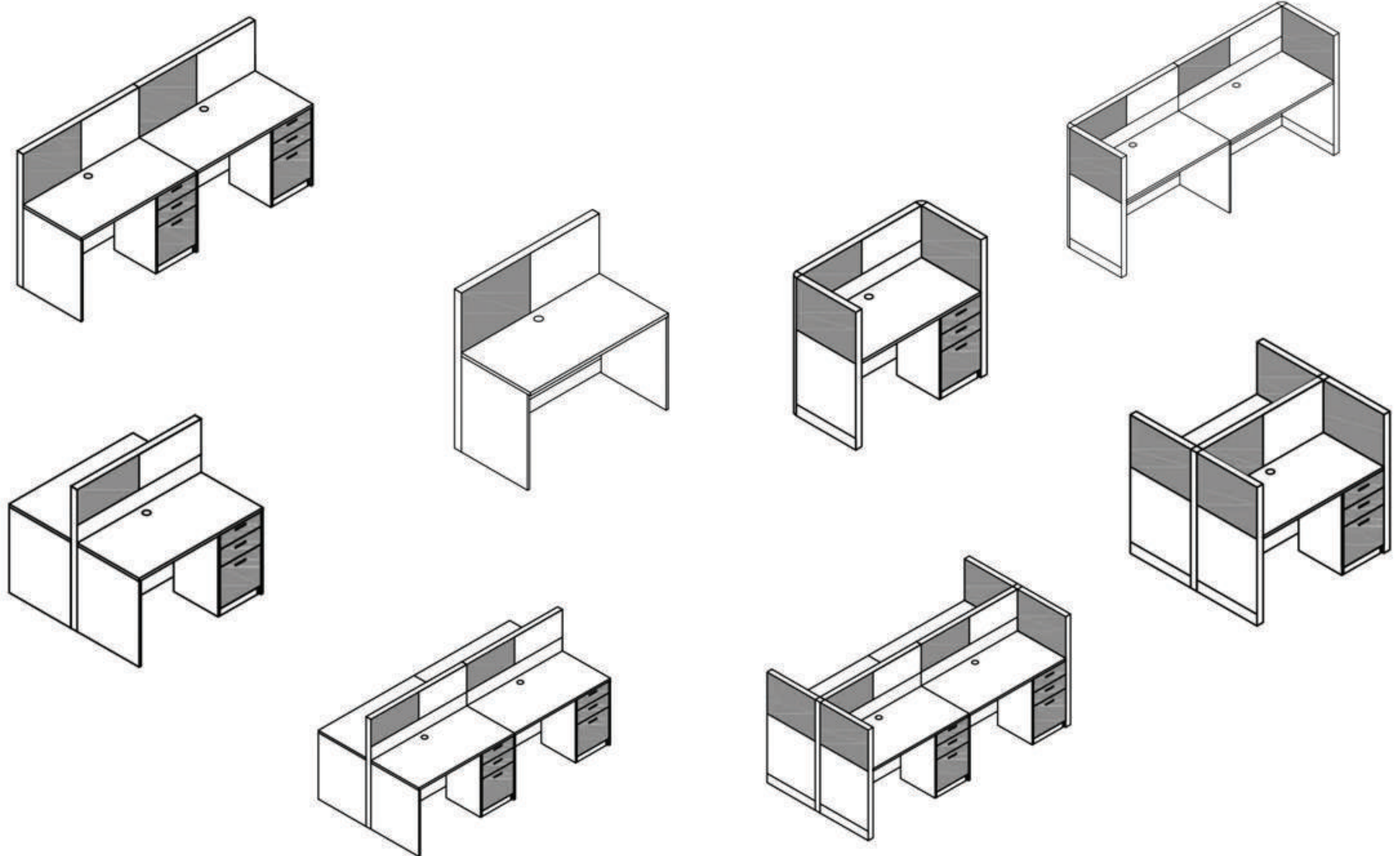


WALNUT

LAMINATE FINISH

Aluminium /Partition System

MODULAR FURNITURE PARTITION SYSTEM



This Range provides an outstanding appearance for standout personalities. The durable rectangular steel frame and melamine top create a solid and highly superior product

WOODEN PARTITION

Key Features:

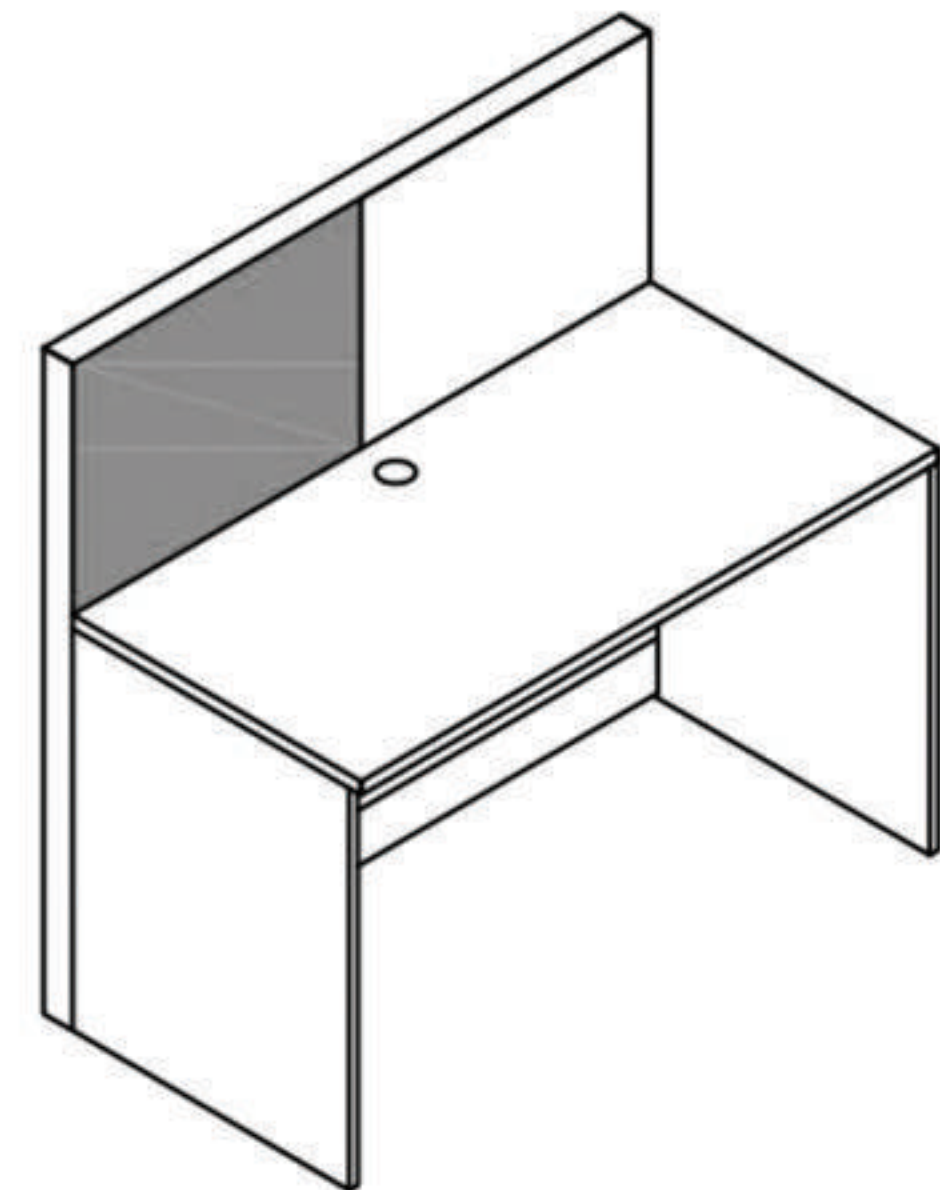
Design:
Clean, straight lines for a minimalist, professional look.

Material:
Durable, high-quality engineered wood or metal frame with laminate or veneer finish.

Modularity:
Components can be rearranged or expanded to create different workspaces (single desk, L-shape, or U-shape).

Storage:
Optional integrated drawers, shelves, or cable management trays.

Dimensions:
Available in multiple sizes to fit small to large office spaces.



Description:-

Whiteboard /Softboard

Table Top Length:- 600/900/1200/1500mm
As per your requirement

Table top depth:- 600/750/900mm
As per your requirement

Table top height-750mm

WOODEN PARTITION

Key Features:

Design:

Clean, straight lines for a minimalist, professional look.

Material:

Durable, high-quality engineered wood or metal frame with laminate or veneer finish.

Modularity:

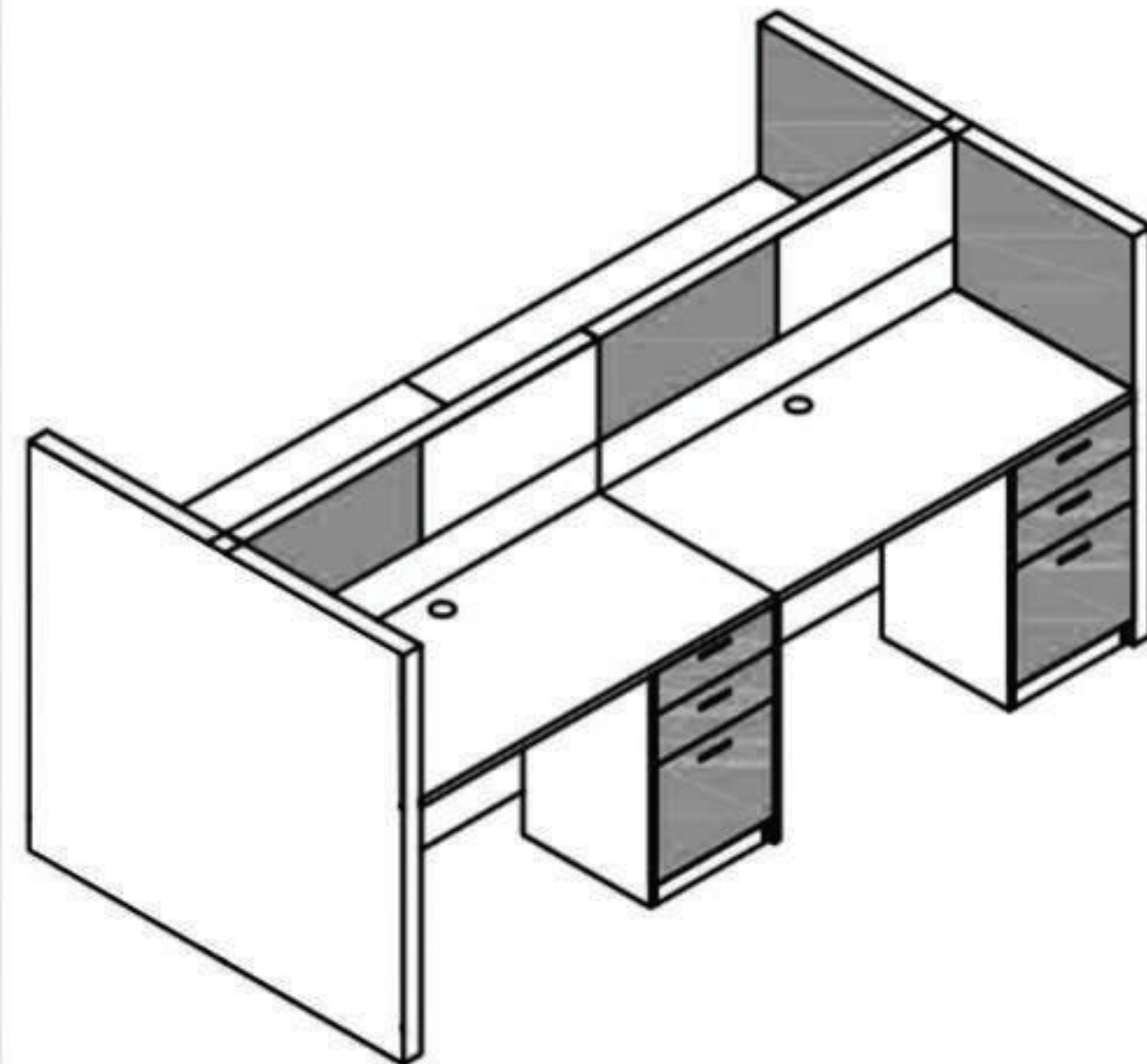
Components can be rearranged or expanded to create different workspaces (single desk, L-shape, or U-shape).

Storage:

Optional integrated drawers, shelves, or cable management trays.

Dimensions:

Available in multiple sizes to fit small to large office spaces.



Description:-

Whiteboard /Softboard

Table Top Length:- 600/900/1200/1500mm
As per your requirement

Table top depth:- 600/750/900mm
As per your requirement

Table top height-750mm

ALUMINIUM PARTITION

Key Features:

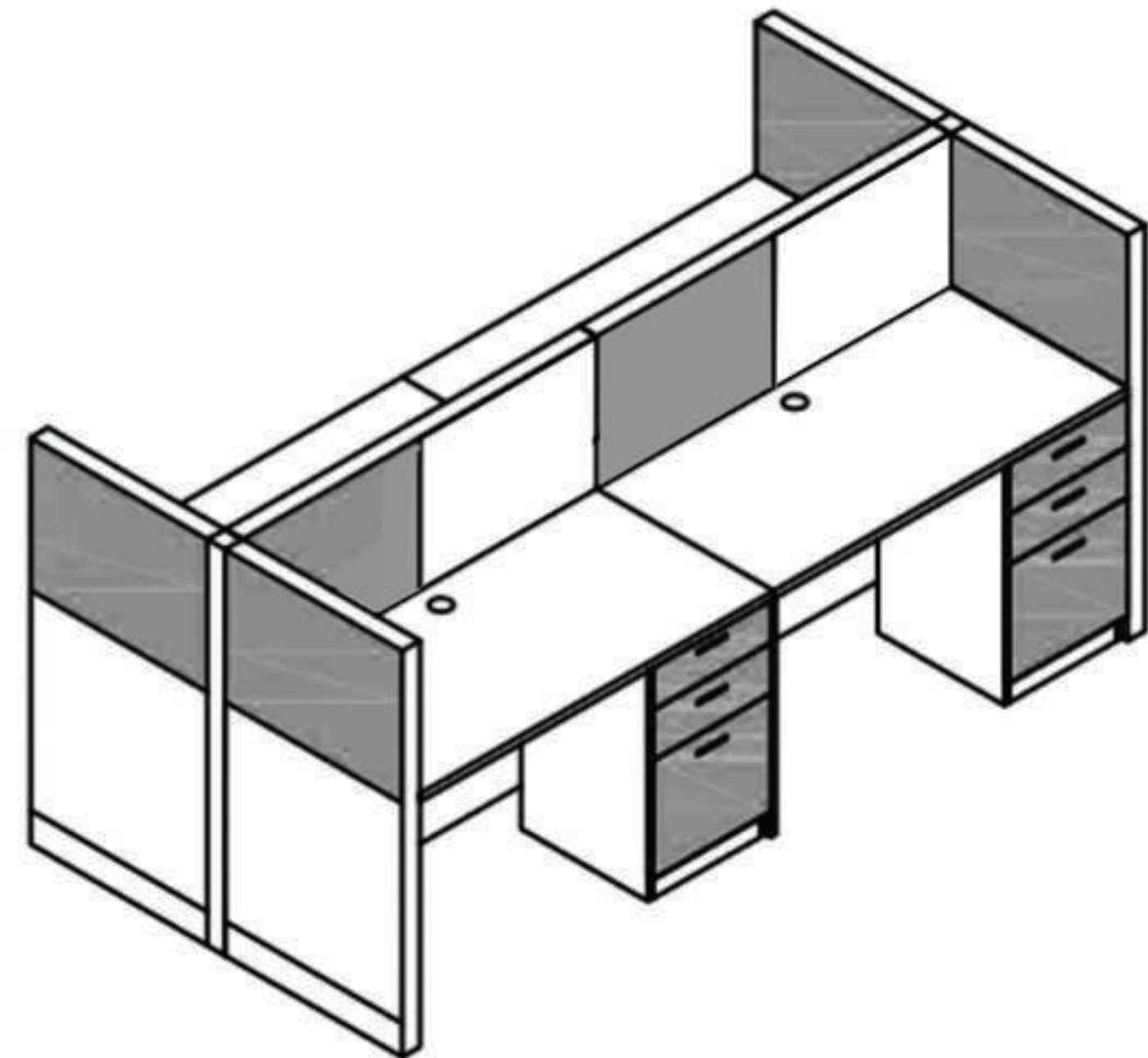
Design:
Clean, straight lines for a minimalist, professional look.

Material:
Durable, high-quality engineered wood or metal frame with laminate or veneer finish.

Modularity:
Components can be rearranged or expanded to create different workspaces (single desk, L-shape, or U-shape).

Storage:
Optional integrated drawers, shelves, or cable management trays.

Dimensions:
Available in multiple sizes to fit small to large office spaces.



Description:-

Whiteboard /Softboard

Table Top Length:- 600/900/1200/1500mm
As per your requirement

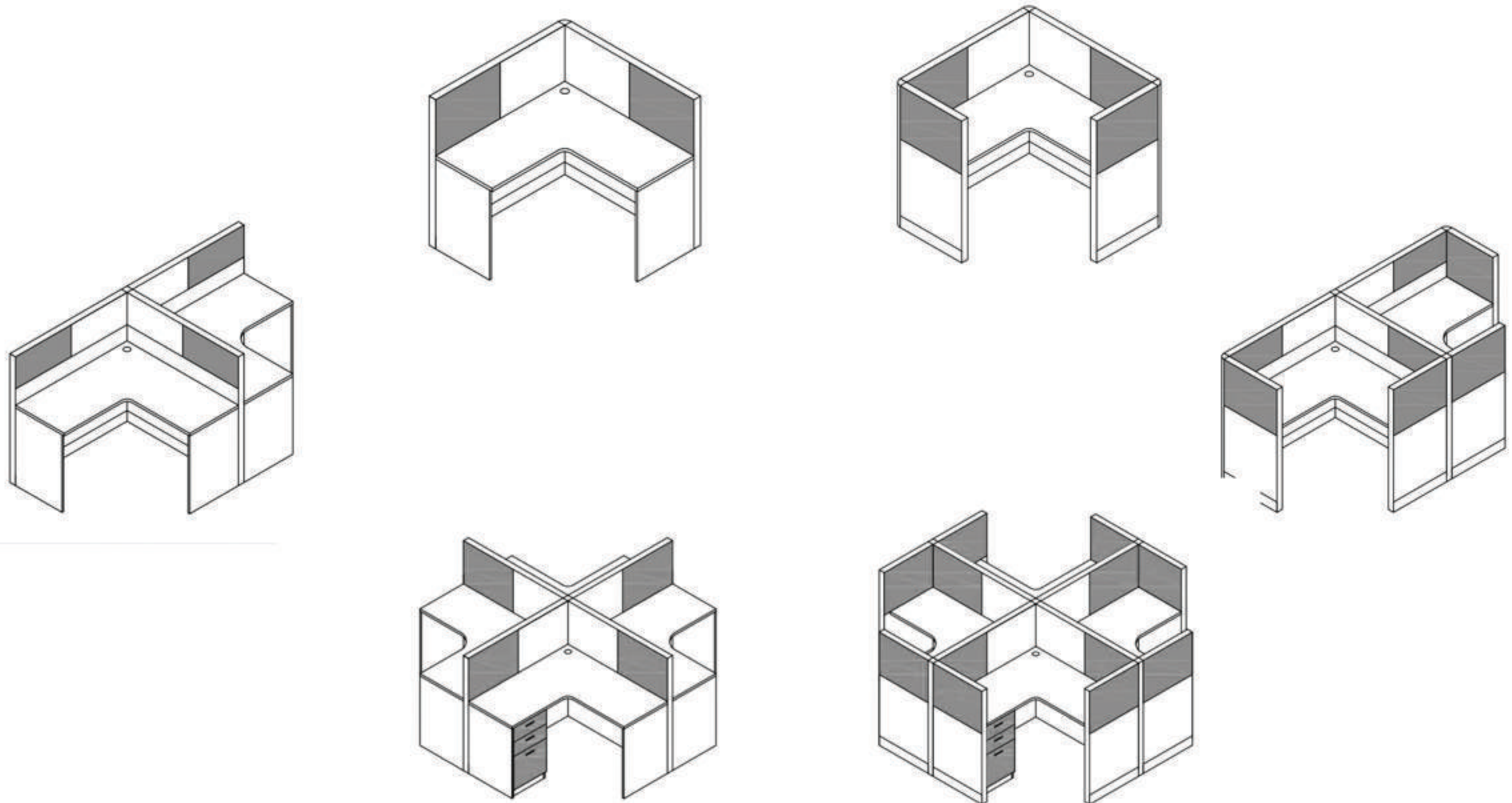
Table top depth:- 600/750/900mm
As per your requirement

Table top height-750mm

CLUSTER MODULAR WORKSTATIONS



MODULAR FURNITURE PARTITION SYSTEM



This Range provides an outstanding appearance for standout personalities. The durable rectangular steel frame and melamine top create a solid and highly superior product

WOODEN PARTITION

Key Features:

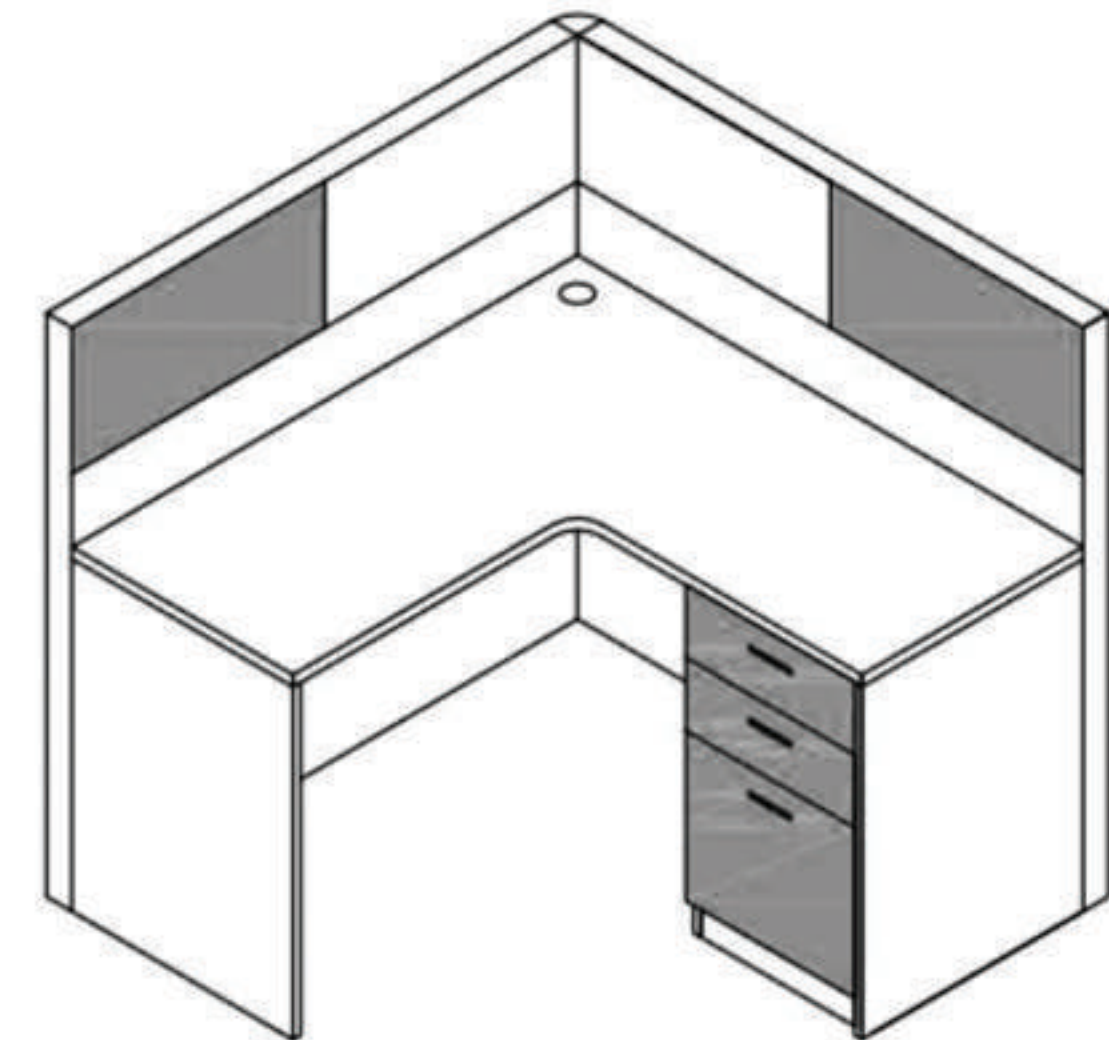
Design:
Clean, straight lines for a minimalist, professional look.

Material:
Durable, high-quality engineered wood or metal frame with laminate or veneer finish.

Modularity:
Components can be rearranged or expanded to create different workspaces (single desk, L-shape, or U-shape).

Storage:
Optional integrated drawers, shelves, or cable management trays.

Dimensions:
Available in multiple sizes to fit small to large office spaces.



Description:-

Whiteboard /Softboard

Table Top Length:- 600/900/1200/1500mm
As per your requirement

Table top depth:- 600/750/900mm
As per your requirement

Table top height-750mm

ALUMINIUM PARTITION

Key Features:

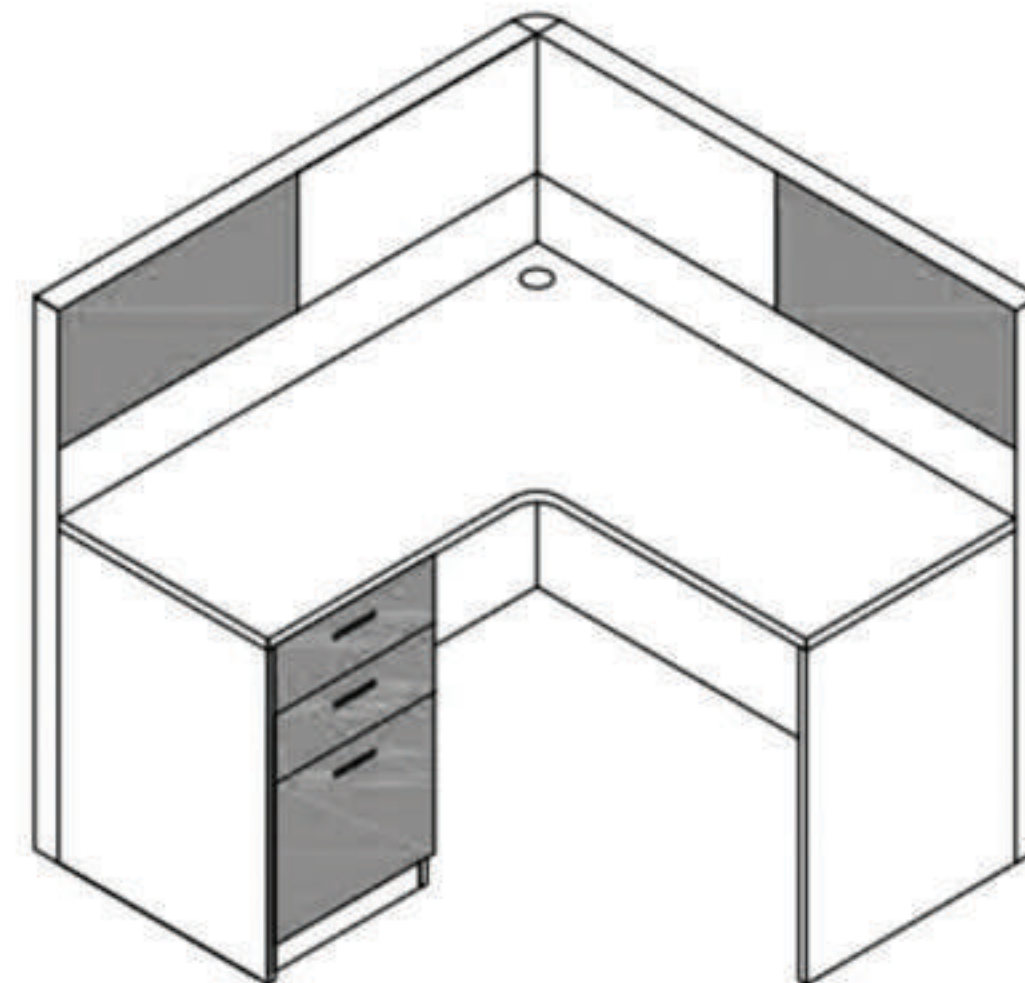
Design:
Clean, straight lines for a minimalist, professional look.

Material:
Durable, high-quality engineered wood or metal frame with laminate or veneer finish.

Modularity:
Components can be rearranged or expanded to create different workspaces (single desk, L-shape, or U-shape).

Storage:
Optional integrated drawers, shelves, or cable management trays.

Dimensions:
Available in multiple sizes to fit small to large office spaces.



Description:-

Whiteboard /Softboard

Table Top Length:- 600/900/1200/1500mm
As per your requirement

Table top depth:- 600/750/900mm
As per your requirement

Table top height-750mm

ALUMINIUM PARTITION

Key Features:

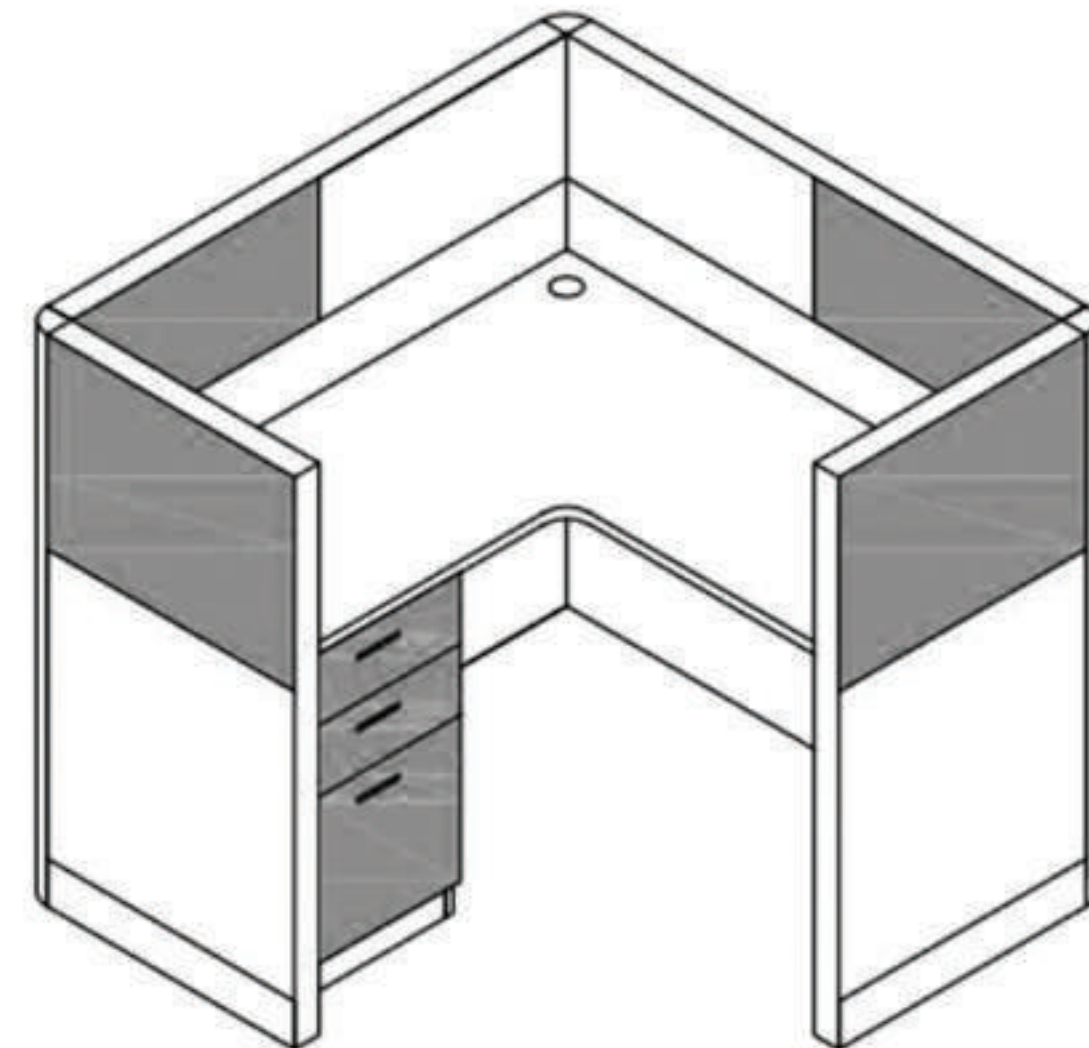
Design:
Clean, straight lines for a minimalist, professional look.

Material:
Durable, high-quality engineered wood or metal frame with laminate or veneer finish.

Modularity:
Components can be rearranged or expanded to create different workspaces (single desk, L-shape, or U-shape).

Storage:
Optional integrated drawers, shelves, or cable management trays.

Dimensions:
Available in multiple sizes to fit small to large office spaces.



Description:-

Whiteboard /Softboard

Table Top Length:- 600/900/1200/1500mm
As per your requirement

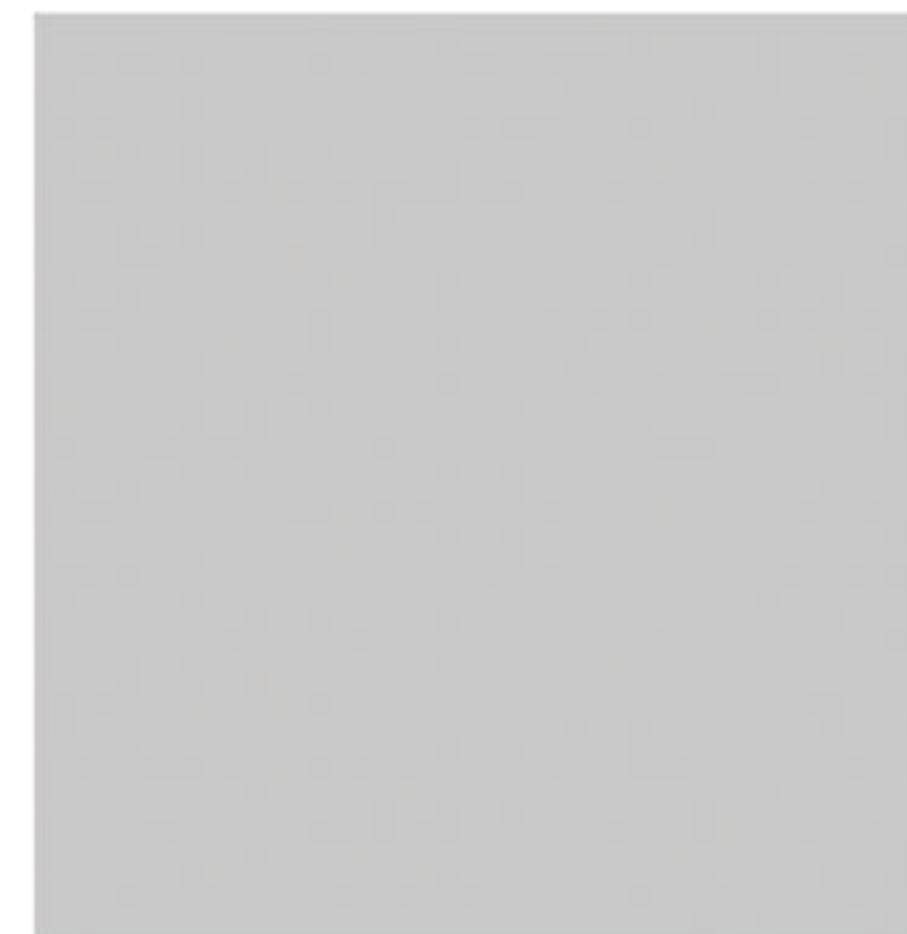
Table top depth:- 600/750/900mm
As per your requirement

Table top height-750mm

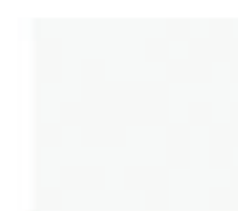
DESK BASED WORKSTATIONS



METAL SERIES



Legs color



WHITE



SILVER



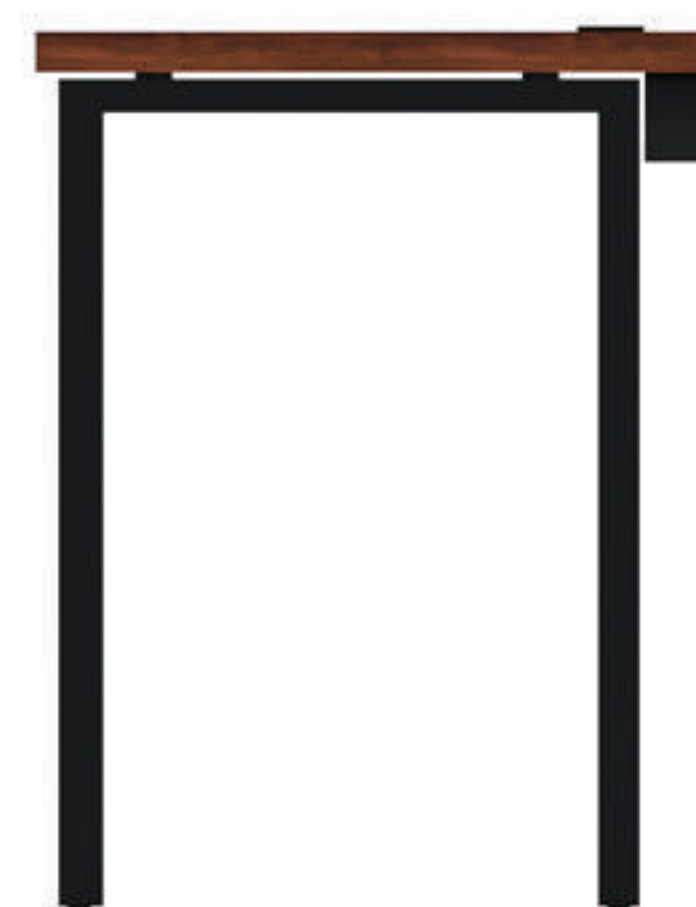
BLACK



BLUE

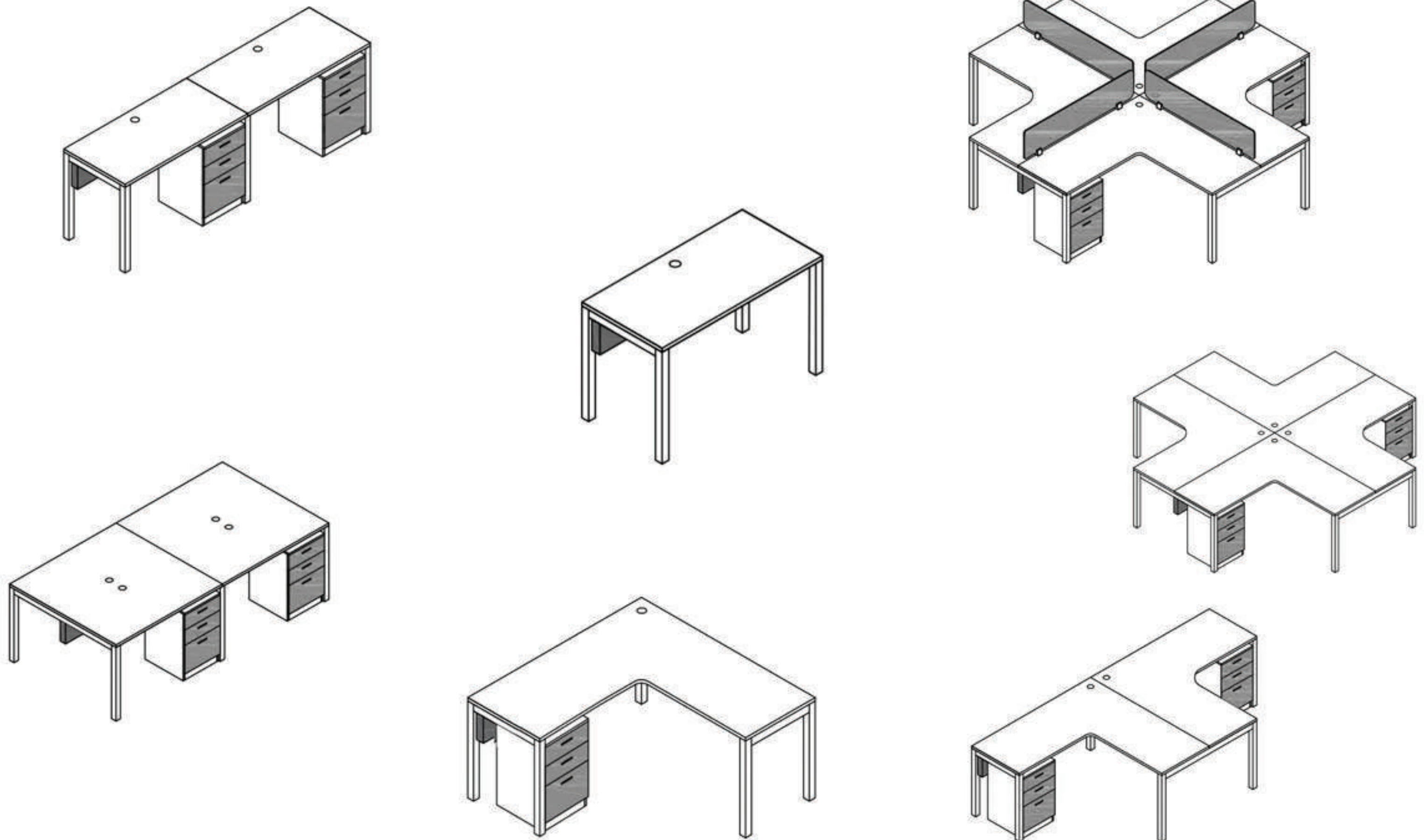


RUBY



U SHAPE METAL LEG
Aluminum Powder coated Sole Leg

MODULAR DESK BASED WORKSTATION SERIES



This Range provides an outstanding appearance for standout personalities. The durable rectangular steel frame and melamine top create a solid and highly superior product

U SHAPE LEG

Key Features:

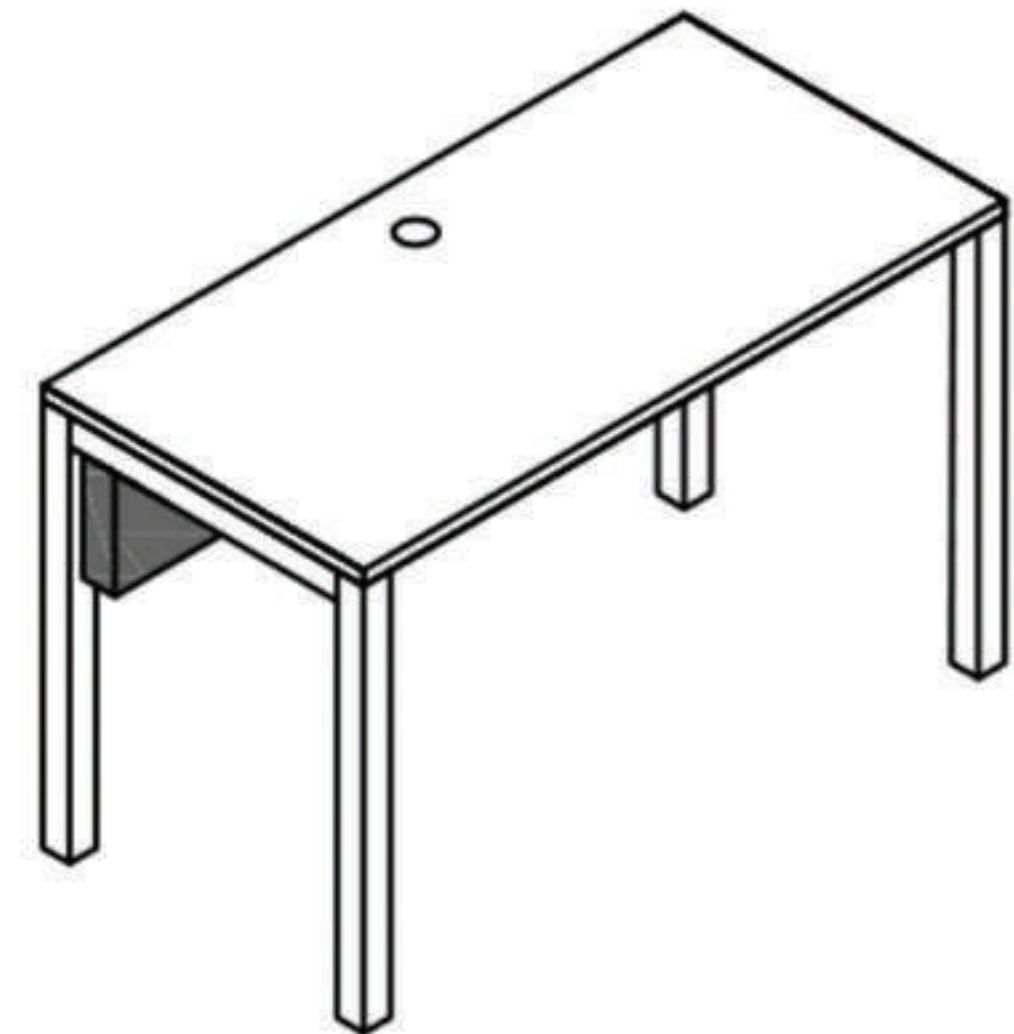
Design:
Clean, straight lines for a minimalist, professional look.

Material:
Durable, high-quality engineered wood or metal frame with laminate or veneer finish.

Modularity:
Components can be rearranged or expanded to create different workspaces (single desk, L-shape, or U-shape).

Storage:
Optional integrated drawers, shelves, or cable management trays.

Dimensions:
Available in multiple sizes to fit small to large office spaces.



Description:-

Whiteboard /Softboard

Table Top Length:- 600/900/1200/1500mm
As per your requirement

Table top depth:- 600/750/900mm
As per your requirement

Table top height-750mm

U SHAPE LEG

Key Features:

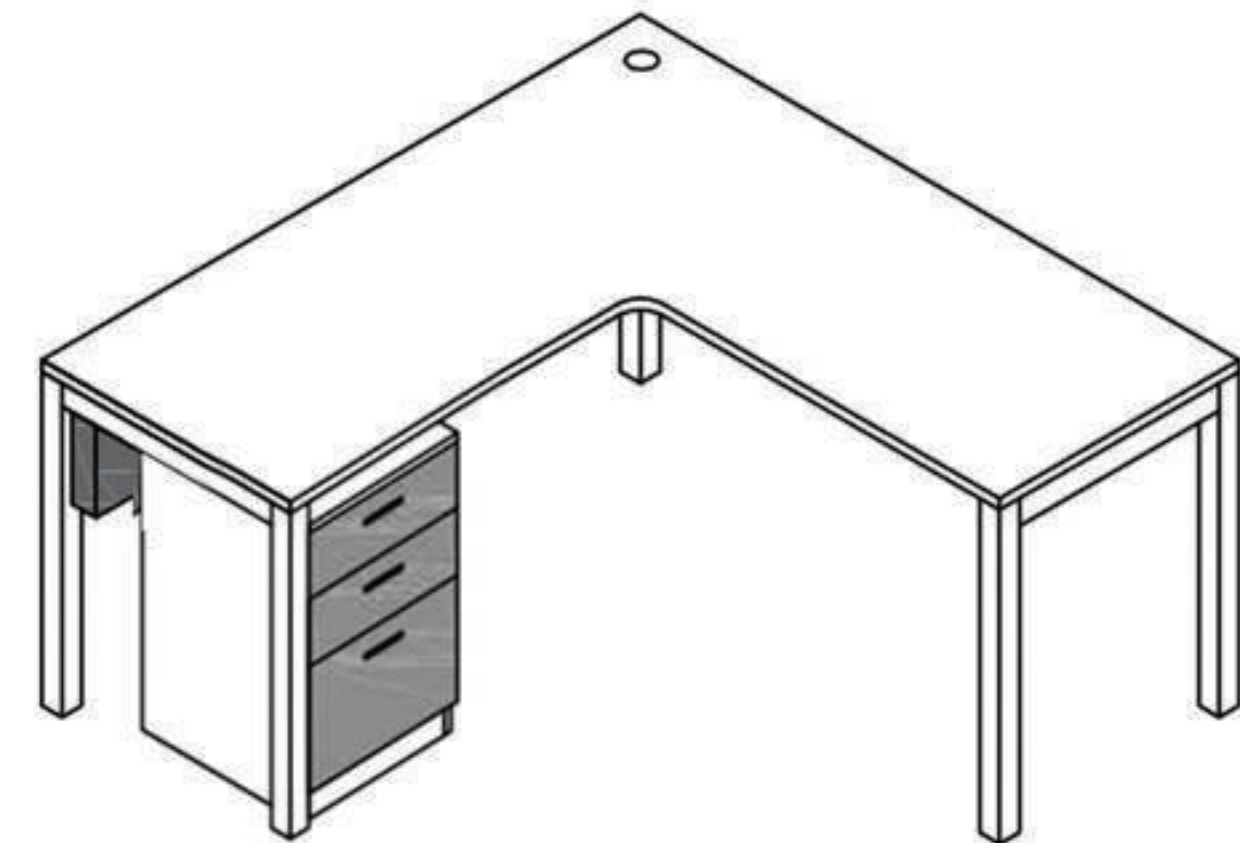
Design:
Clean, straight lines for a minimalist, professional look.

Material:
Durable, high-quality engineered wood or metal frame with laminate or veneer finish.

Modularity:
Components can be rearranged or expanded to create different workspaces (single desk, L-shape, or U-shape).

Storage:
Optional integrated drawers, shelves, or cable management trays.

Dimensions:
Available in multiple sizes to fit small to large office spaces.



Description:-

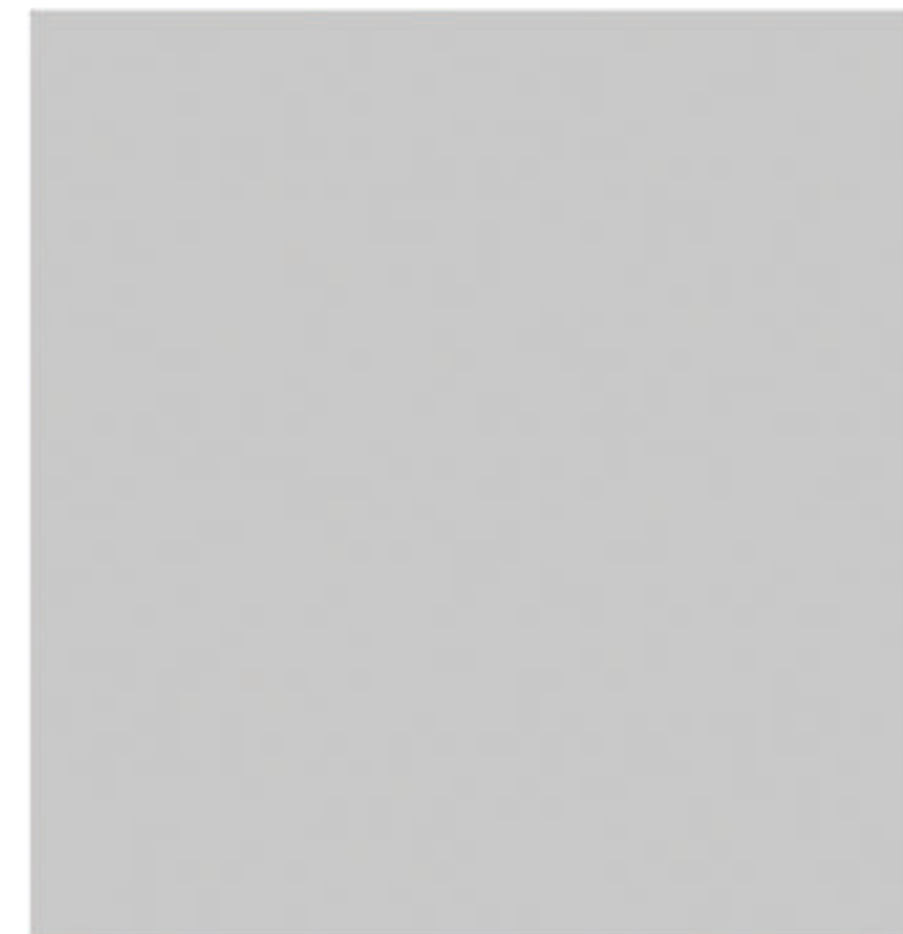
Whiteboard /Softboard

Table Top Length:- 600/900/1200/1500mm
As per your requirement

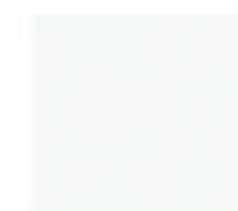
Table top depth:- 600/750/900mm
As per your requirement

Table top height-750mm

METAL SERIES



Legs color



WHITE



SILVER



BLACK



BLUE



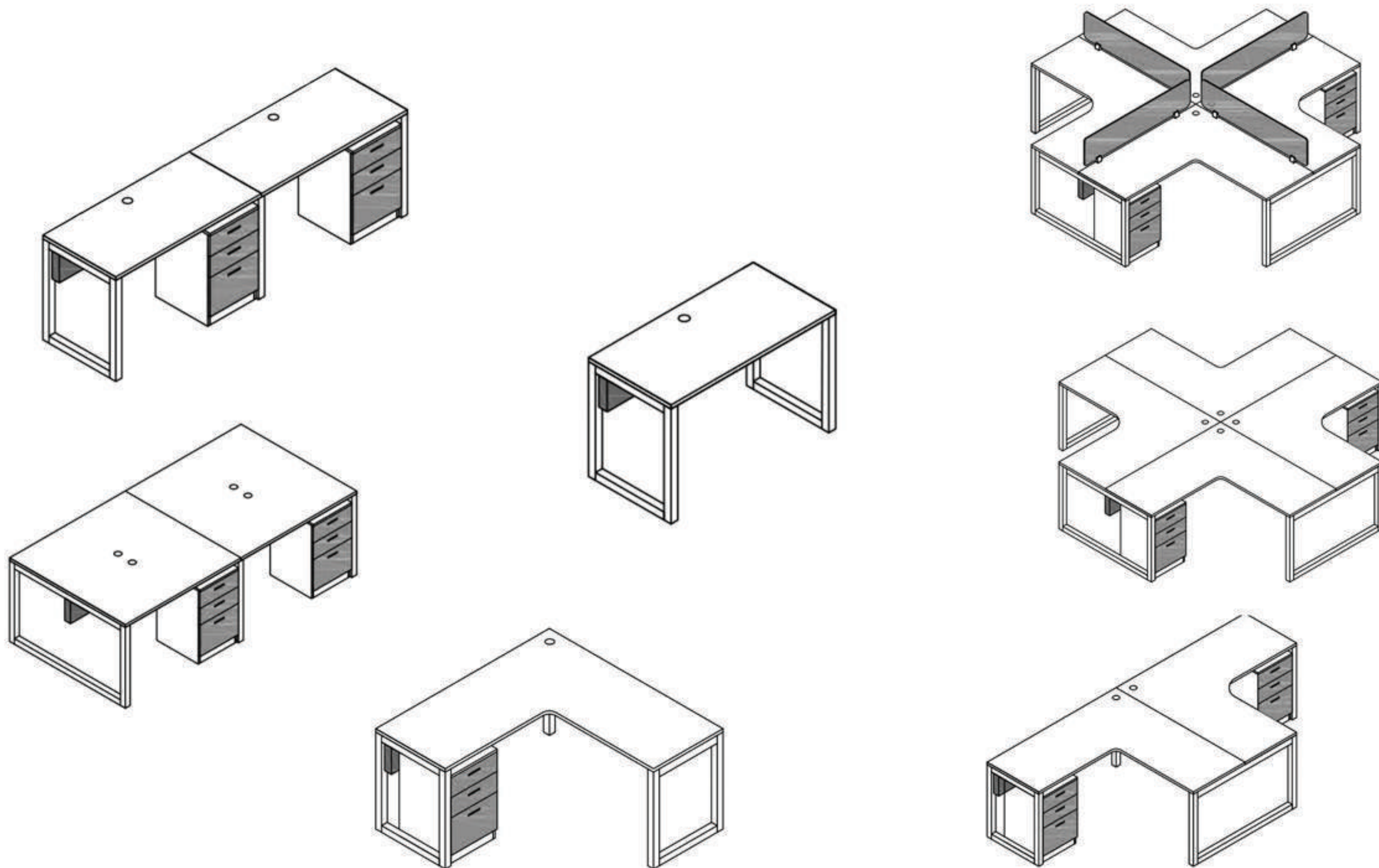
RUBY



SQUARE SHAPE METAL LEG

Aluminum Powder coated Sole Leg

MODULAR FURNITURE SQUARE LEG SERIES



This Range provides an outstanding appearance for standout personalities. The durable rectangular steel frame and melamine top create a solid and highly superior product

SQAURE SHAPE LEG

Key Features:

Design:

Clean, straight lines for a minimalist, professional look.

Material:

Durable, high-quality engineered wood or metal frame with laminate or veneer finish.

Modularity:

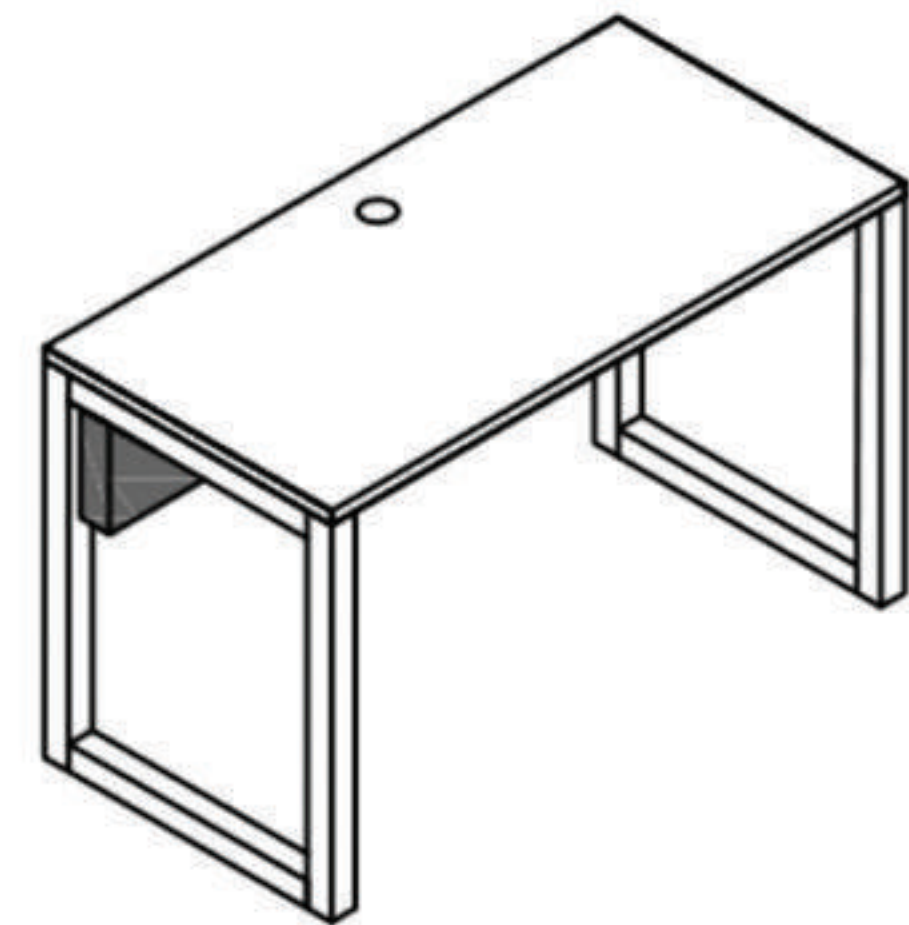
Components can be rearranged or expanded to create different workspaces (single desk, L-shape, or U-shape).

Storage:

Optional integrated drawers, shelves, or cable management trays.

Dimensions:

Available in multiple sizes to fit small to large office spaces.



Description:-

Whiteboard /Softboard

Table Top Length:- 600/900/1200/1500mm
As per your requirement

Table top depth:- 600/750/900mm
As per your requirement

Table top height-750mm

SQUARE SHAPE LEG

Key Features:

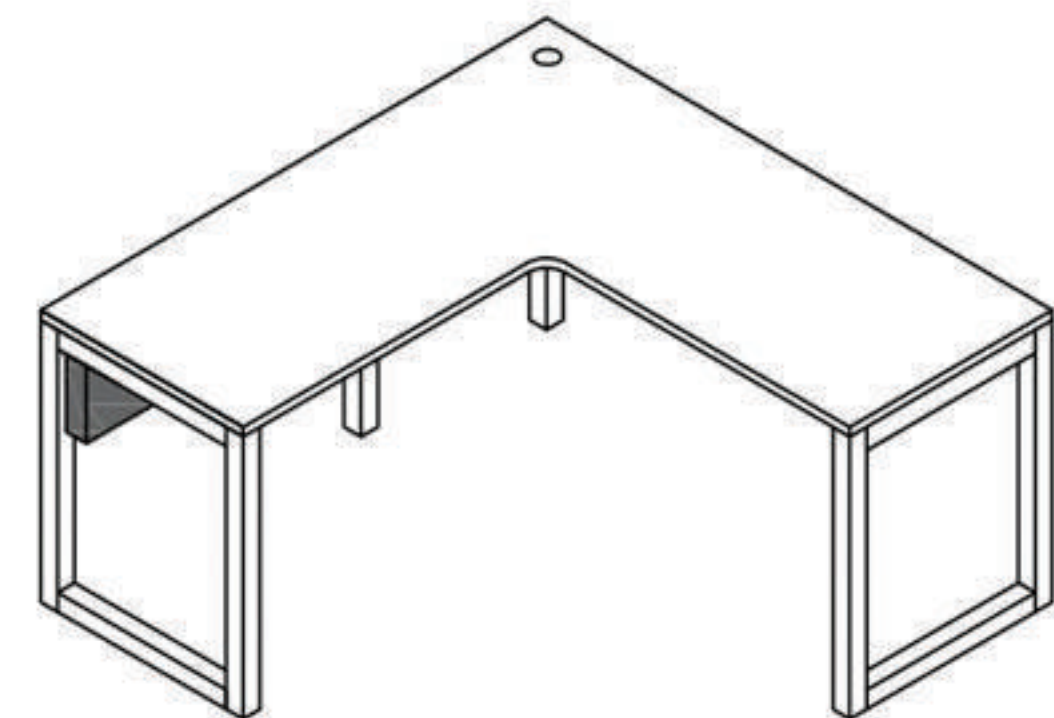
Design:
Clean, straight lines for a minimalist, professional look.

Material:
Durable, high-quality engineered wood or metal frame with laminate or veneer finish.

Modularity:
Components can be rearranged or expanded to create different workspaces (single desk, L-shape, or U-shape).

Storage:
Optional integrated drawers, shelves, or cable management trays.

Dimensions:
Available in multiple sizes to fit small to large office spaces.



Description:-

Whiteboard /Softboard

Table Top Length:- 600/900/1200/1500mm
As per your requirement

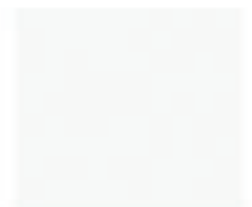
Table top depth:- 600/750/900mm
As per your requirement

Table top height-750mm

METAL SERIES



Legs color



WHITE



SILVER



BLACK



BLUE



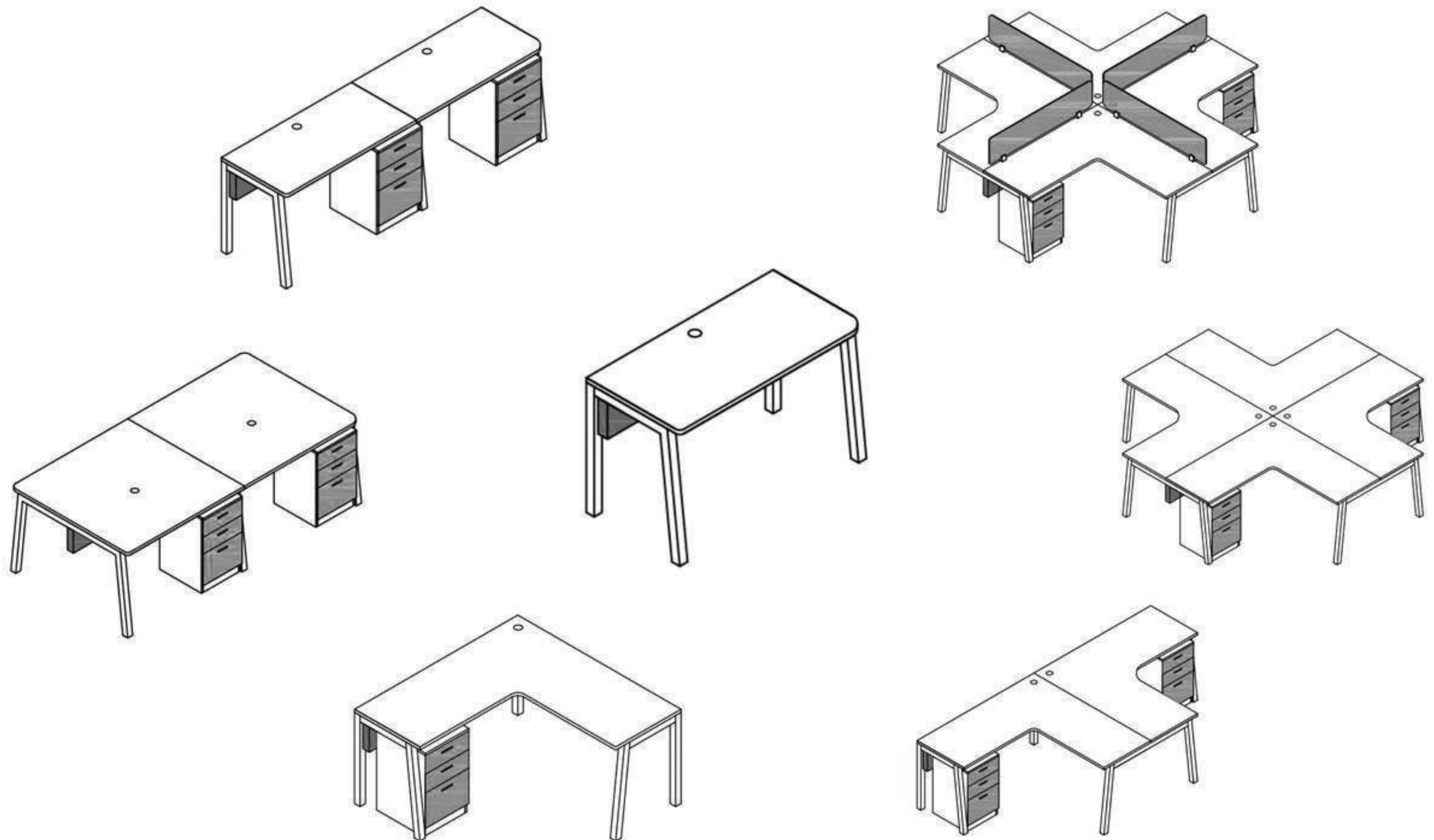
RUBY



FLARED SHAPE METAL LEG ^{RUBY}

Aluminum Powder coated Sole Leg

MODULAR FURNITURE FLARED LEG SERIES



This Range provides an outstanding appearance for standout personalities. The durable rectangular steel frame and melamine top create a solid and highly superior product

FLARED SHAPE LEG

Key Features:

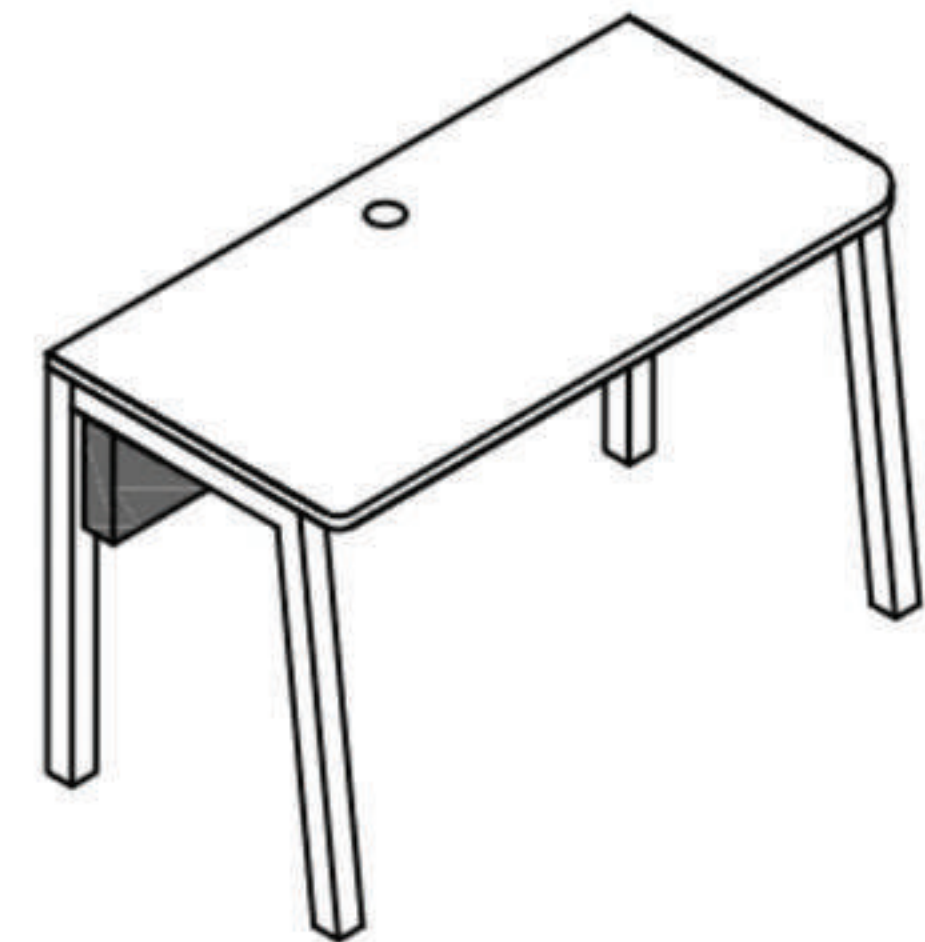
Design:
Clean, straight lines for a minimalist, professional look.

Material:
Durable, high-quality engineered wood or metal frame with laminate or veneer finish.

Modularity:
Components can be rearranged or expanded to create different workspaces (single desk, L-shape, or U-shape).

Storage:
Optional integrated drawers, shelves, or cable management trays.

Dimensions:
Available in multiple sizes to fit small to large office spaces.



Description:-

Whiteboard /Softboard

Table Top Length:- 600/900/1200/1500mm
As per your requirement

Table top depth:- 600/750/900mm
As per your requirement

Table top height-750mm

FLARED SHAPE LEG

L TYPE

Key Features:

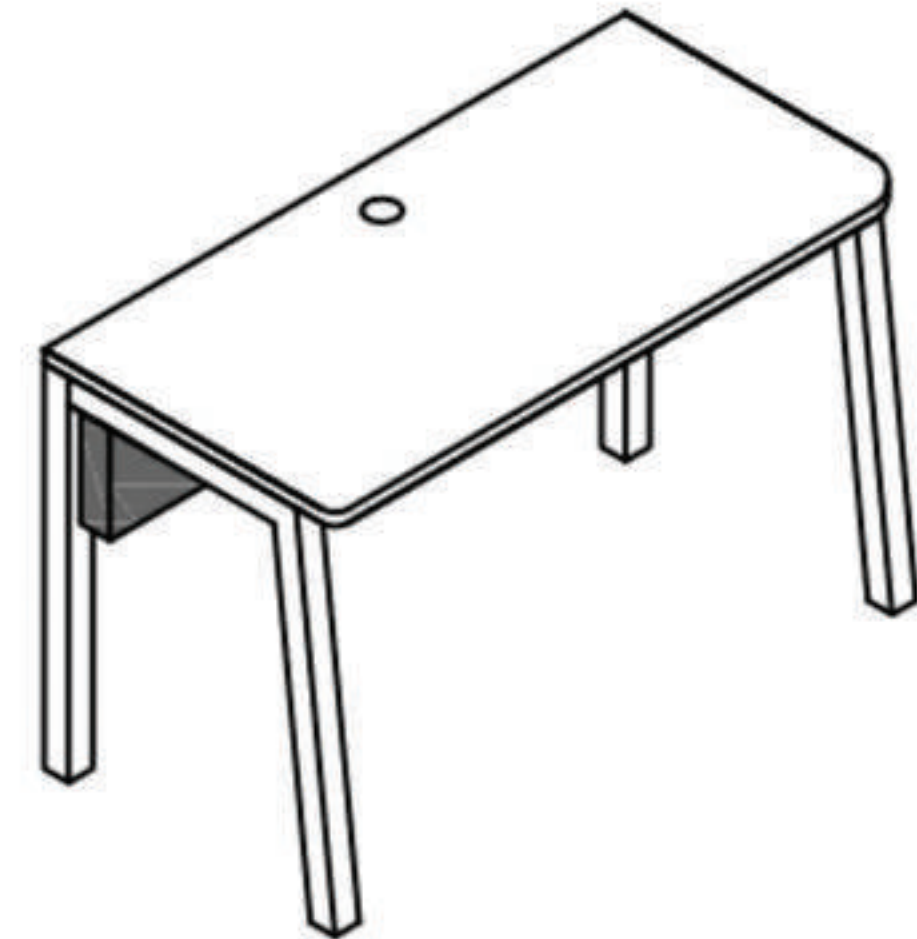
Design:
Clean, straight lines for a minimalist, professional look.

Material:
Durable, high-quality engineered wood or metal frame with laminate or veneer finish.

Modularity:
Components can be rearranged or expanded to create different workspaces (single desk, L-shape, or U-shape).

Storage:
Optional integrated drawers, shelves, or cable management trays.

Dimensions:
Available in multiple sizes to fit small to large office spaces.



Description:-

Whiteboard /Softboard

Table Top Length:- 600/900/1200/1500mm
As per your requirement

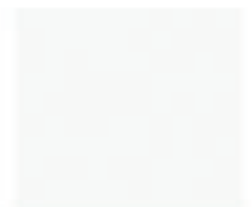
Table top depth:- 600/750/900mm
As per your requirement

Table top height-750mm

METAL SERIES



Legs color



WHITE



SILVER



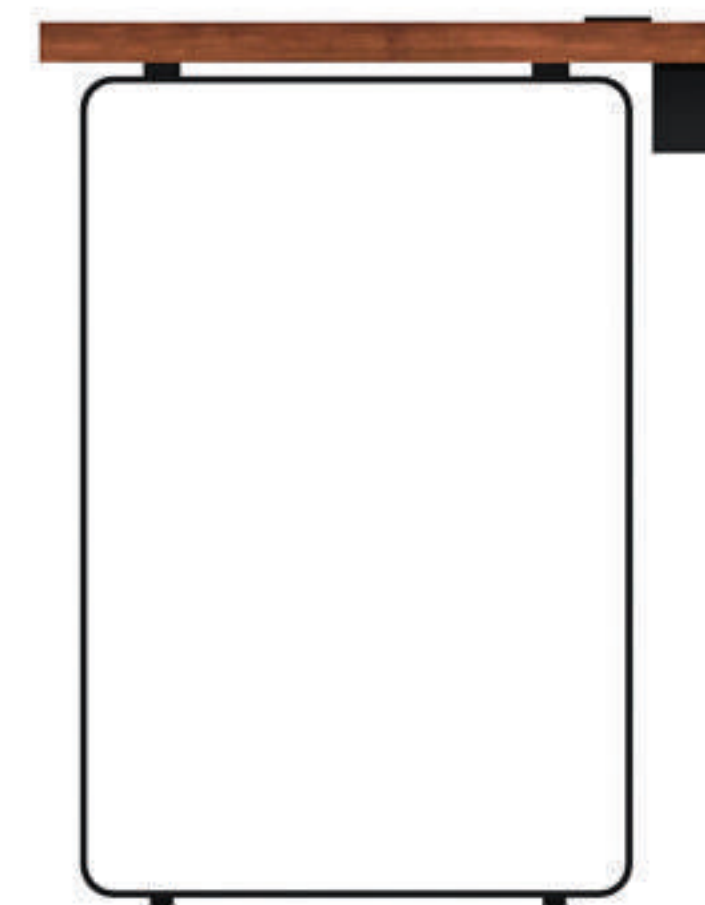
BLACK



BLUE



RUBY



FILLET SHAPE METAL LEG

Aluminum Powder coated Sole Leg

FILLET SHAPE LEG

Key Features:

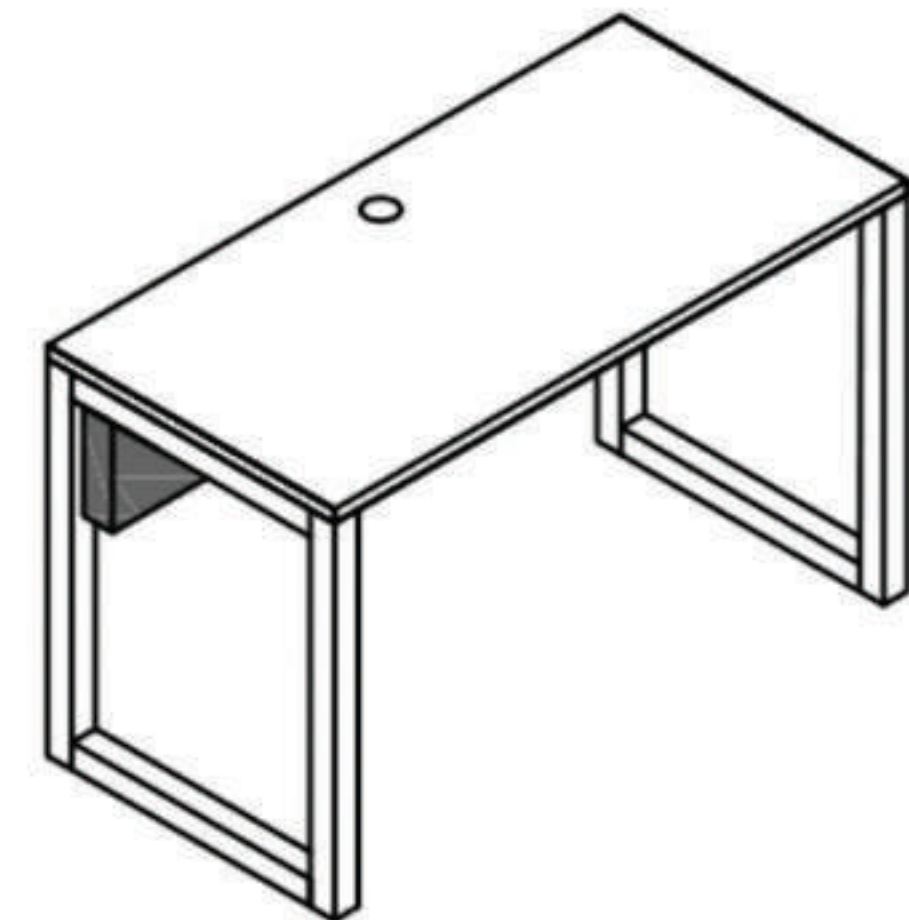
Design:
Clean, straight lines for a minimalist, professional look.

Material:
Durable, high-quality engineered wood or metal frame with laminate or veneer finish.

Modularity:
Components can be rearranged or expanded to create different workspaces (single desk, L-shape, or U-shape).

Storage:
Optional integrated drawers, shelves, or cable management trays.

Dimensions:
Available in multiple sizes to fit small to large office spaces.



Description:-

Whiteboard /Softboard

Table Top Length:- 600/900/1200/1500mm
As per your requirement

Table top depth:- 600/750/900mm
As per your requirement

Table top height-750mm

METAL SERIES



FILLET SHAPE LEG

Key Features:

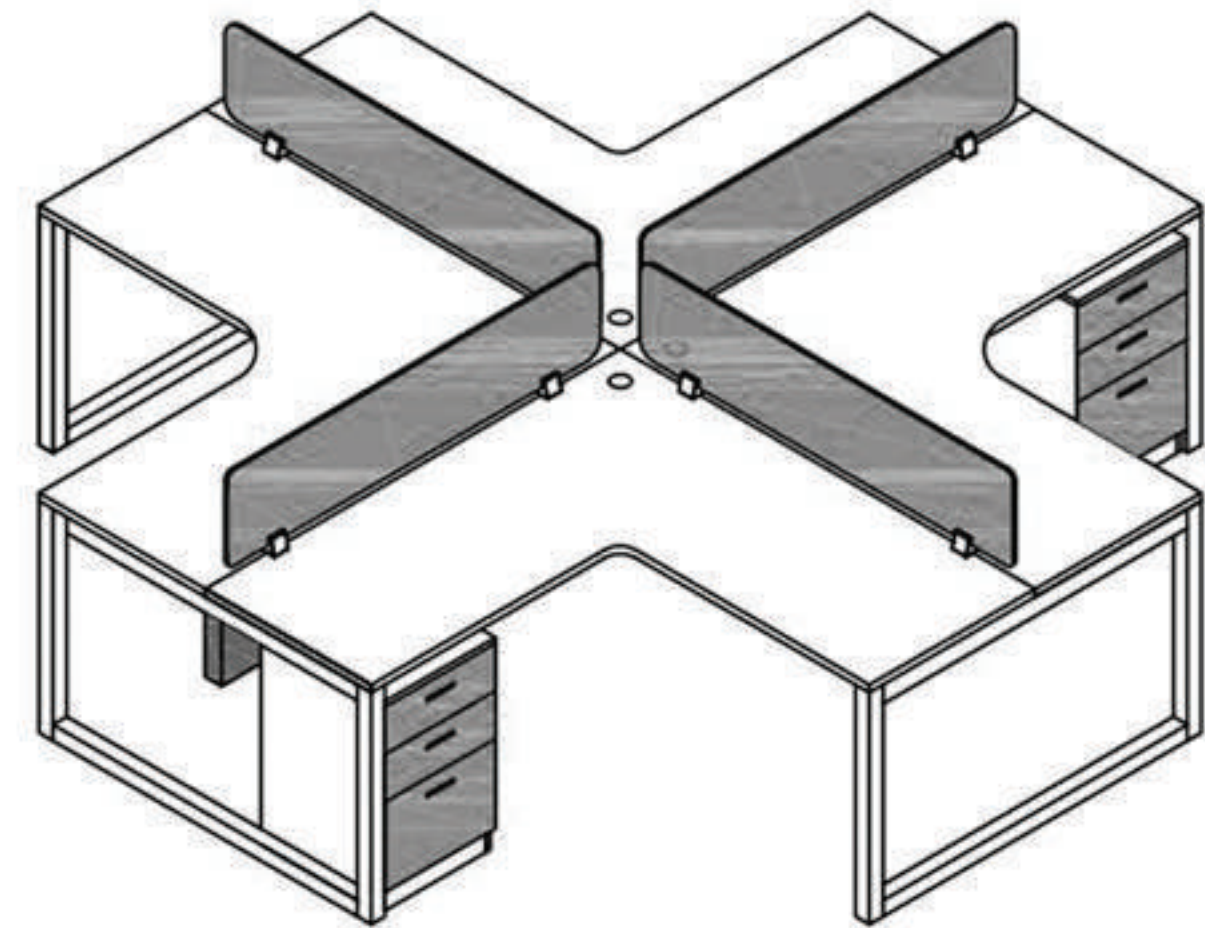
Design:
Clean, straight lines for a minimalist, professional look.

Material:
Durable, high-quality engineered wood or metal frame with laminate or veneer finish.

Modularity:
Components can be rearranged or expanded to create different workspaces (single desk, L-shape, or U-shape).

Storage:
Optional integrated drawers, shelves, or cable management trays.

Dimensions:
Available in multiple sizes to fit small to large office spaces.



Description:-

Whiteboard /Softboard

Table Top Length:- 600/900/1200/1500mm
As per your requirement

Table top depth:- 600/750/900mm
As per your requirement

Table top height-750mm

CENTRE TABLES

Key Features:

Design:

Clean, straight lines for a minimalist, professional look.

Material:

Durable, high-quality engineered wood or metal frame with laminate or veneer finish.

Modularity:

Components can be rearranged or expanded to create different workspaces (single desk, L-shape, or U-shape).

Storage:

Optional integrated drawers, shelves, or cable management trays.

Dimensions:

Available in multiple sizes to fit small to large office spaces.



Description:-

25MM THK.
CLEAR GLASS TOP WITH COMMERCIAL
PLY FINISHED WITH LAMINATE

600(L) X 600(W) X 450(H)

Table top height-750mm

CENTRE TABLES

Key Features:

Design:
Clean, straight lines for a minimalist, professional look.

Material:
Durable, high-quality engineered wood or metal frame with laminate or veneer finish.

Modularity:
Components can be rearranged or expanded to create different workspaces (single desk, L-shape, or U-shape).

Storage:
Optional integrated drawers, shelves, or cable management trays.

Dimensions:
Available in multiple sizes to fit small to large office spaces.



Description:-

Whiteboard /Softboard

Table Top Dia:- 600/900
As per your requirement

Table top Lenth:- 600/750/900mm
able top Depth:- 600/750/900mm

As per your requirement

CONFERENCE TABLES



CONFERENCE TABLES

Description:-

Table Top Length:- 1800/2100/2400mm
As per your requirement

Table top depth:- 1200/1350mm
As per your requirement

Table top height-750mm



PADESTALS

Description:-

Table Top Length:-
1800/2100/2400mm
As per your requirement

Table top depth:- 1200/1350mm
As per your requirement

Table top height-750mm



Single Drawer
Size: 400/450/630mm(H)



Single Drawer with Shutter
Size: 400/450/630mm(H)



Single Drawer with Shutter
Size: 400/450/630mm(H)



Two Drawer
Size: 400/450/630mm(H)



Three Drawer
Size: 400/450/630mm(H)



Single Drawer with Shutter
Size: 400/450/630mm(H)



Two Drawer
Size: 400/450/630mm(H)



Three Drawer
Size: 400/450/630mm(H)



Two Drawer With Seating
Size: 400/450/630mm(H)

SIDE UNIT With Handle

Description:-

Size: 400/450/900/1200
As Per Your Requirement



Size: 400/450/900/1200
As Per Your Requirement
Shutter:- Two
Height 630/750mm



Size: 400/450/900/1200
As Per Your Requirement
Shutter:- Two
Drawer:- Two
Height 630/750mm



Size: 400/450/900/1200
As Per Your Requirement
Shutter:- Two
Drawer:-One Height 630/750mm



Size: 400/450/900/1200
As Per Your Requirement
Shutter:- One
Drawer:- Three
Height 630/750mm



Size: 400/450/900/1200
As Per Your Requirement
Shutter:-Two Slider
Height 630/750mm



SIDE UNIT

Description:-

Size: 400/450/900/1200
As Per Your Requirement

With Handleless



Size: 400/450/900/1200
As Per Your Requirement
Shutter:- Two
Height 630/750mm



Size: 400/450/900/1200
As Per Your Requirement
Shutter:- Two
Drawer:- Two
Height 630/750mm



Size: 400/450/900/1200
As Per Your Requirement
Shutter:- Two
Drawer:-One Height 630/750mm



Size: 400/450/900/1200
As Per Your Requirement
Shutter:- One
Drawer:- Three
Height 630/750mm

SIDE STORAGE Handless



Size: 400/450/900/1200
As Per Your Requirement
Shutter:- Three
Drawer:-
Height 630/750mm



Size: 400/450/900/1200
As Per Your Requirement
Shutter:- Three
Drawer:- Three
Height 630/750mm



Size: 400/450/900/1200
As Per Your Requirement

Shutter:-Three
Drawer: Two
Height 630/750mm

STORAGE UNIT

Description:-

Size: 400/450/900/1200
As Per Your Requirement



Low Height Storage
Quantity : One Unit
As Per Your Requirement

Size:600/900/1200
750mm(H)
Shutter:- Four



Mid Height Storage
Quantity : One Unit
As Per Your Requirement

Size:600/900/1200
1200mm(H)
Shutter:- Four



Full Height Storage
Quantity : One Unit
As Per Your Requirement

Size:600/900/1200
2100mm(H)
Shutter:- Four

DISPLAY RACK



Display Rack

Length:- 1200/1800/2100/2400mm
As per your requirement

Height:-1200/1500/1800/2100/2400
As per your requirement



Display Rack

Length:- 1200/1800/2100/2400mm
As per your requirement

Height:-1200/1500/1800/2100/2400
As per your requirement

DISPLAY RACK



Display Rack

Length:- 1200/1800/2100/2400mm
As per your requirement

Height:-1200/1500/1800/2100/2400
As per your requirement



Display Rack

Length:- 1200/1800/2100/2400mm
As per your requirement

Height:-1200/1500/1800/2100/2400
As per your requirement

DISPLAY RACK



Display Rack

Length:- 1200/1800/2100/2400mm
As per your requirement

Height:-1200/1500/1800/2100/2400
As per your requirement



Display Rack

Length:- 1200/1800/2100/2400mm
As per your requirement

Height:-1200/1500/1800/2100/2400
As per your requirement

BOOK STORAGE



Book Storage

Length:- 1200/1800/2100/2400mm
As per your requirement

Height:-1200/1500/1800/2100/2400
As per your requirement



Book Storage

Length:- 1200/1800/2100/2400mm
As per your requirement

Height:-1200/1500/1800/2100/2400
As per your requirement

FABRICS

Scan QR for
Fabric Catalogue



Response FabricsTM
Fabrics For The World's Best Offices



E 188 CLOUDS



E 212 BLUSH



E 191 MED BLUE



E 126 CIELO



E 201 APPLE GREEN



E 186 AMETHYST



E 5016 N. BLUE



E 105 MELANZE



E 204 STEEL



E 181 DAGO ORANGE



E 151 LEMON



E 225 FROSTY SPRUCE



E 214 PINK



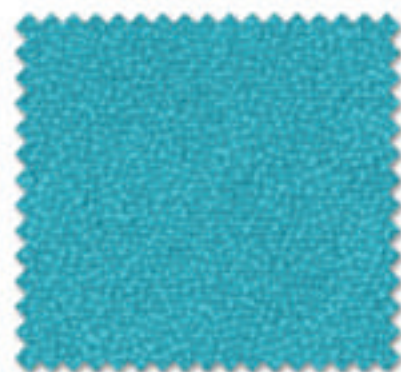
E 102 TRUE BLUE



E 108 STATE GREY



E 226 ASH



E 203 AQUA



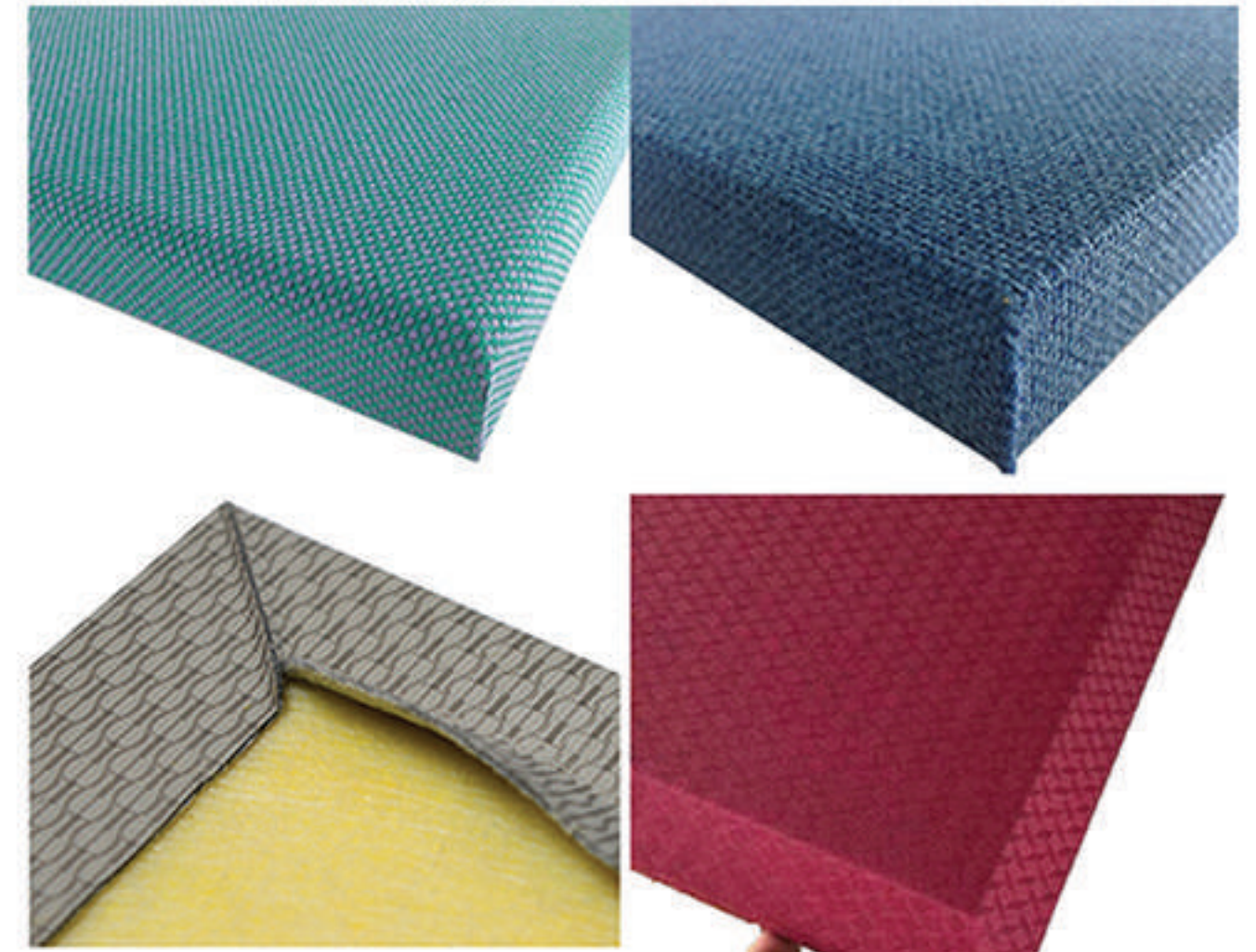
E 157 CINNAMON



E 156 MAGENTA



E 114 FLAME RED



LAMINATE TEXTURES



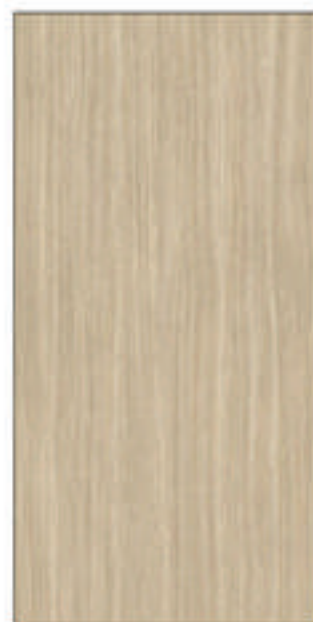
WHITE



GRAY



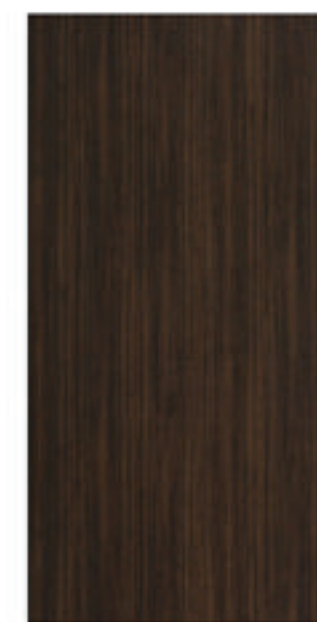
MAPPLE



ASHCANDIC



NOGARD



WALNUT

Laminates are versatile surfacing materials available in a wide variety of colors, patterns, and textures. They are widely used for furniture, cabinets, walls, and other interior applications due to their durability, aesthetics, and affordability



POWDER COATED LEGS



WHITE



SILVER



BLACK



BLUE



RUBY



Powder-coated legs are a reliable and stylish choice, offering functionality, aesthetics, and long-term value for various furniture and design needs.

CONTACT

Marketing Head-
Dhiren Vyas
Phone: +91 9099021676

Email:
lemodahm@gmail.com

Production Head-
Kamlesh Gajjar
Phone: +91 9099912522

Email:
kamlesh.lemodulo@gmail.com

Address:-
1706 Paiki, Near SMS Industries,
Santej Khatrej Road Santej,
Taluka:, District:, Kalol,
Ahmedabad,
Gujarat 382721

Visit@
www.lemodulo.co.in

