

**Le Modulo**<sup>TM</sup>

# MODULAR OFFICE FURNITURE



[www.lemodulo.co.in](http://www.lemodulo.co.in)

## MANUFACTURER OF MODULAR OFFICE FURNITURE



A modern manufacturing facility with state of art machinery is typically designed to optimize productivity, precision, and efficiency.

**Manufacturing** Modular  
furniture for offices

**Design & Decoration**  
for Corporate Offices.

### Turnkey Projects



Modular Workstations  
Executive Tables  
Metal Table  
Conference Tables  
Reception Table  
Boss/M.D. Table  
Cafeteria Table  
Center Table  
Educational Desks  
Storages & Drawers

Modular Aluminium Partition  
Toughened Glass Partition  
UPVC Doors & Windows  
False Ceilings  
Electrical & Data Wiring  
Communication  
CCTv Solutions



**Le Modolor Pvt. Ltd.**

*specializes in manufacturing ready-to-install modular furniture for  
Corporate offices & Commercial Retail Outlets*

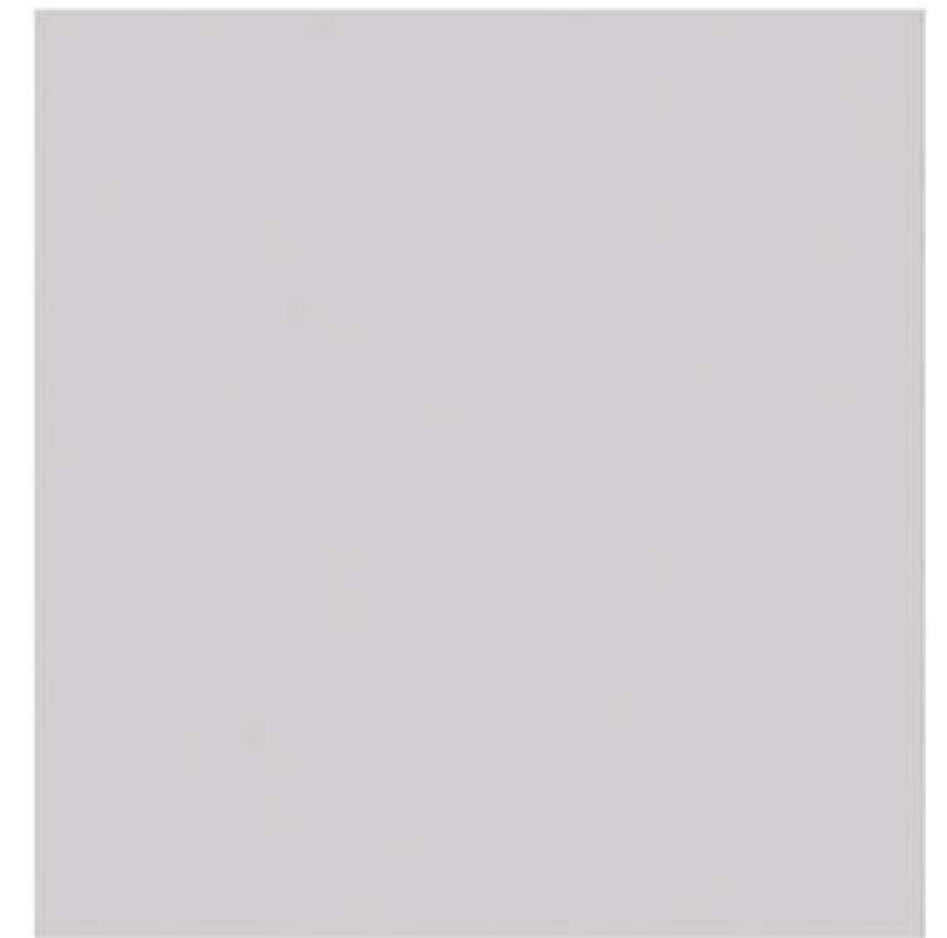
Transform Your Office with **LE MODULOR**

At LE MODULOR, we believe your workspace should inspire creativity, collaboration, and comfort. That's why we specialize in creating high-quality, ergonomic office furniture tailored to your needs.

- \*Customizable designs to match your unique office environment
- \*Durable, sustainable materials for long-lasting use
- \*Ergonomic solutions for comfort and well-being
- \*Fast, reliable delivery and installation



# LINEAR MODULAR WORKSTATIONS



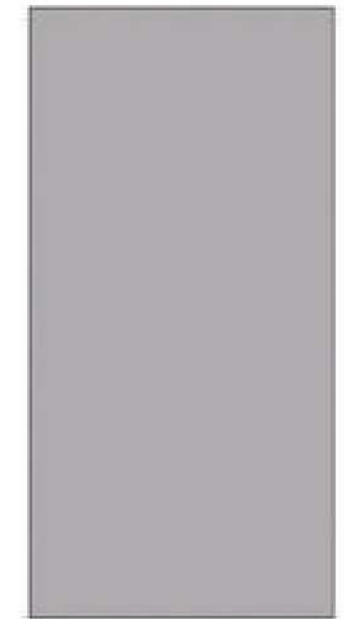
# WOODEN / ALUMINIUM PARTITION SERIES



Laminate color



WHITE



GRAY



MAPPLE



ASHCANDIC



NOGARD

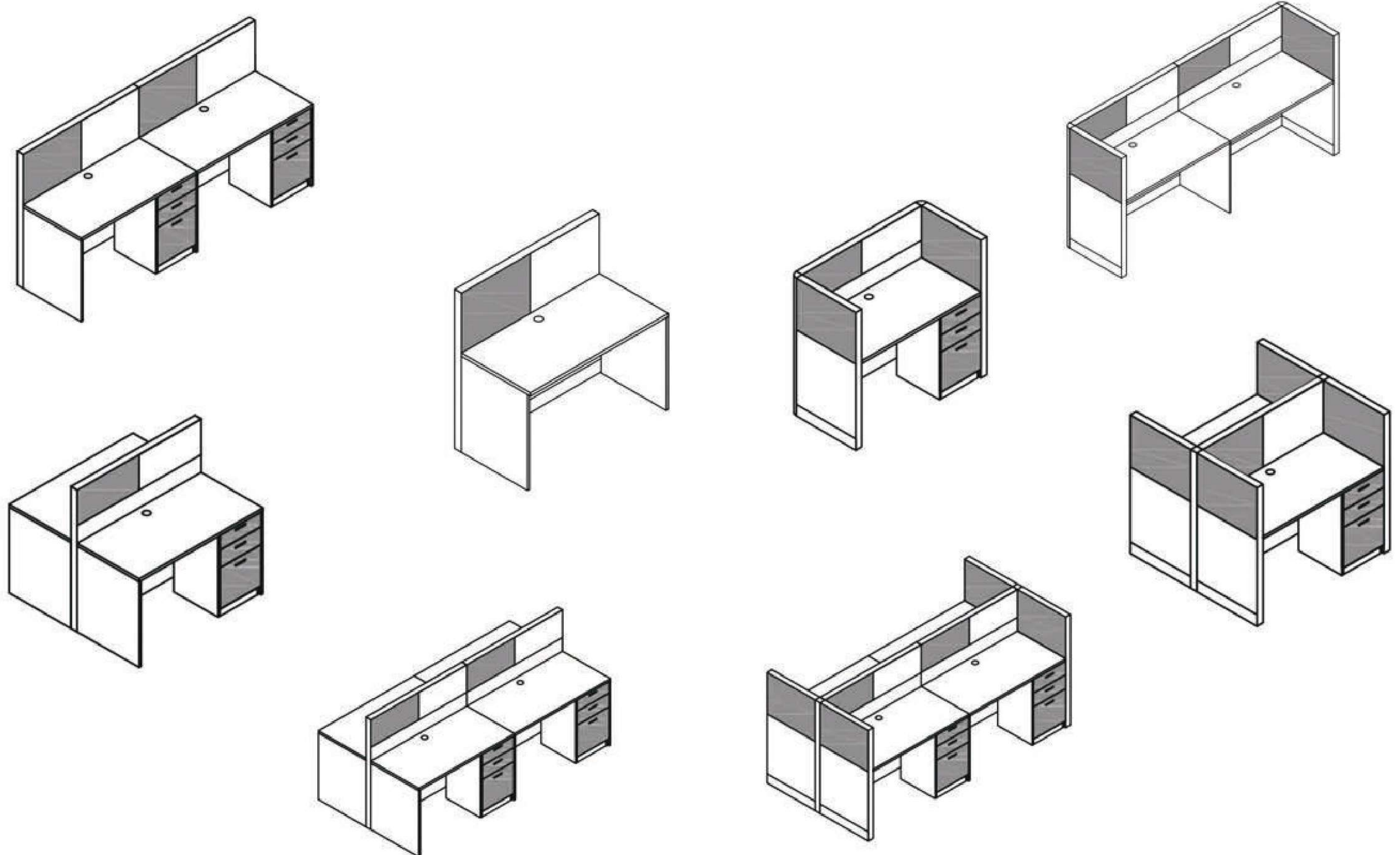


WALNUT

## LAMINATE FINISH

Aluminium /Partition System

# MODULAR FURNITURE PARTITION SYSTEM



This Range provides an outstanding appearance for standout personalities. The durable rectangular steel frame and melamine top create a solid and highly superior product

# WOODEN PARTITION

## Key Features:

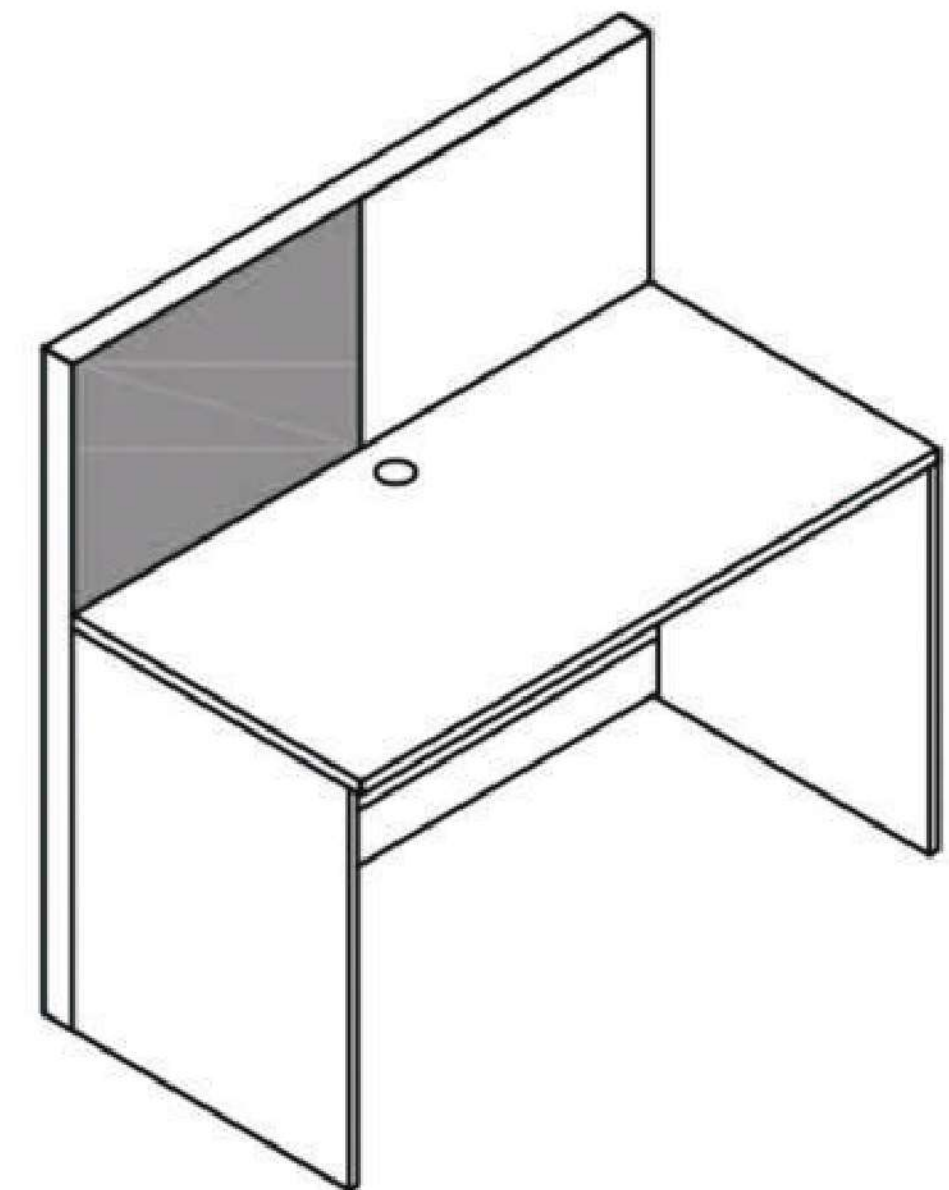
**Design:**  
Clean, straight lines for a minimalist, professional look.

**Material:**  
Durable, high-quality engineered wood or metal frame with laminate or veneer finish.

**Modularity:**  
Components can be rearranged or expanded to create different workspaces (single desk, L-shape, or U-shape).

**Storage:**  
Optional integrated drawers, shelves, or cable management trays.

**Dimensions:**  
Available in multiple sizes to fit small to large office spaces.



## Description:-

*Whiteboard /Softboard*

Table Top Length:- 600/900/1200/1500mm  
As per your requirement

Table top depth:- 600/750/900mm  
As per your requirement

Table top height-750mm

# WOODEN PARTITION

## Key Features:

### Design:

Clean, straight lines for a minimalist, professional look.

### Material:

Durable, high-quality engineered wood or metal frame with laminate or veneer finish.

### Modularity:

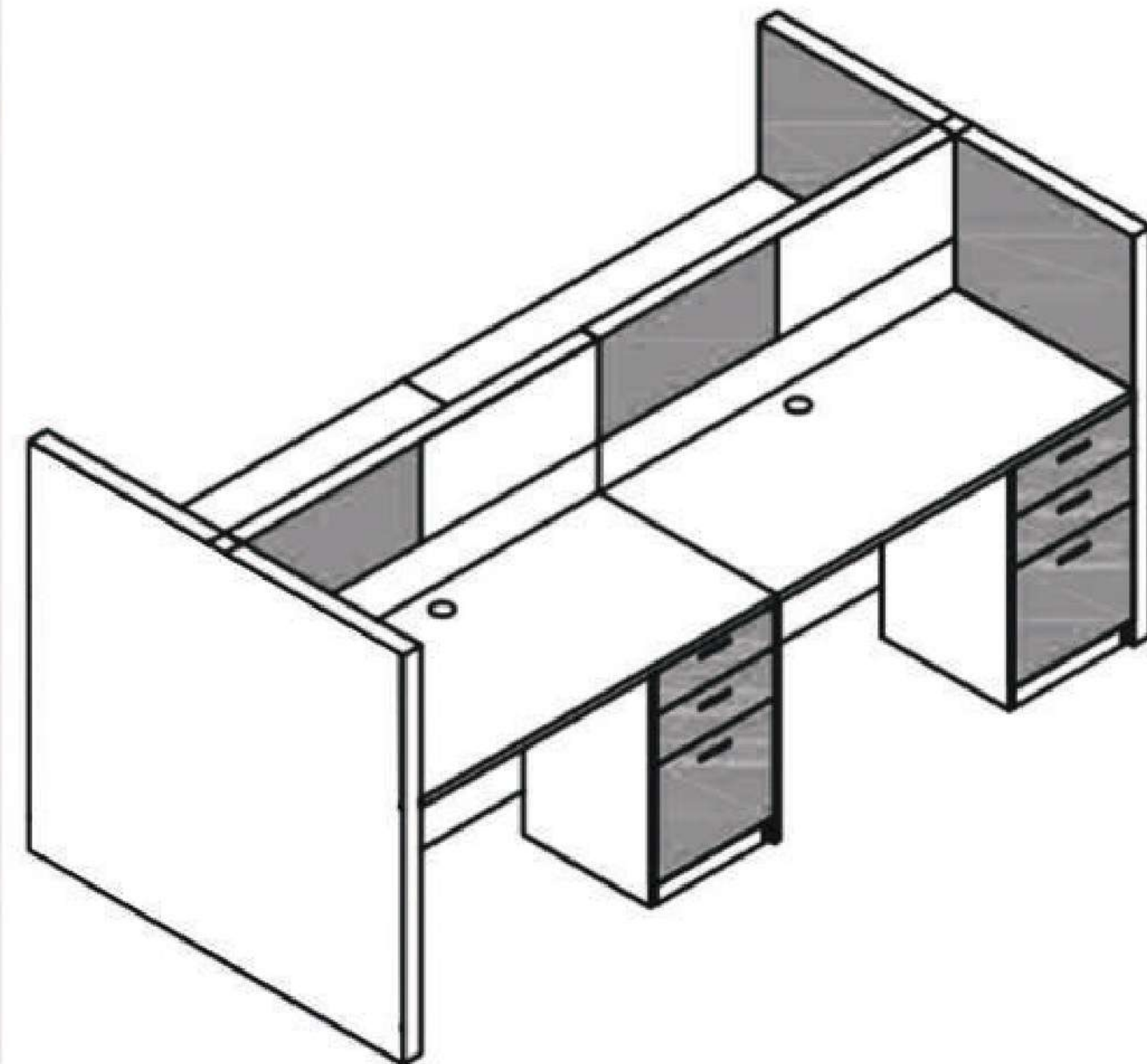
Components can be rearranged or expanded to create different workspaces (single desk, L-shape, or U-shape).

### Storage:

Optional integrated drawers, shelves, or cable management trays.

### Dimensions:

Available in multiple sizes to fit small to large office spaces.



## Description:-

*Whiteboard /Softboard*

Table Top Length:- 600/900/1200/1500mm  
As per your requirement

Table top depth:- 600/750/900mm  
As per your requirement

Table top height-750mm

# ALUMINIUM PARTITION

## Key Features:

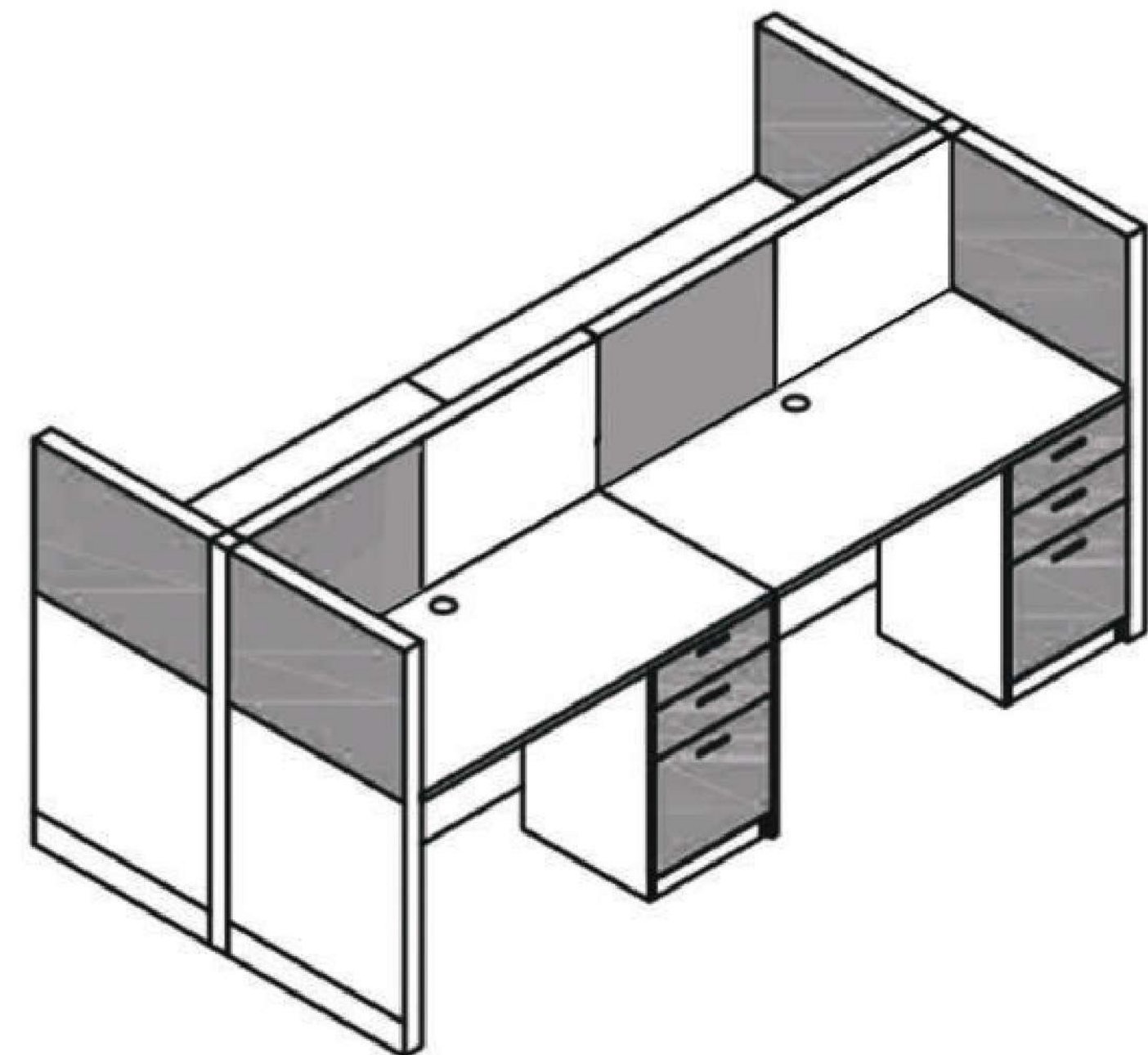
**Design:**  
Clean, straight lines for a minimalist, professional look.

**Material:**  
Durable, high-quality engineered wood or metal frame with laminate or veneer finish.

**Modularity:**  
Components can be rearranged or expanded to create different workspaces (single desk, L-shape, or U-shape).

**Storage:**  
Optional integrated drawers, shelves, or cable management trays.

**Dimensions:**  
Available in multiple sizes to fit small to large office spaces.



## Description:-

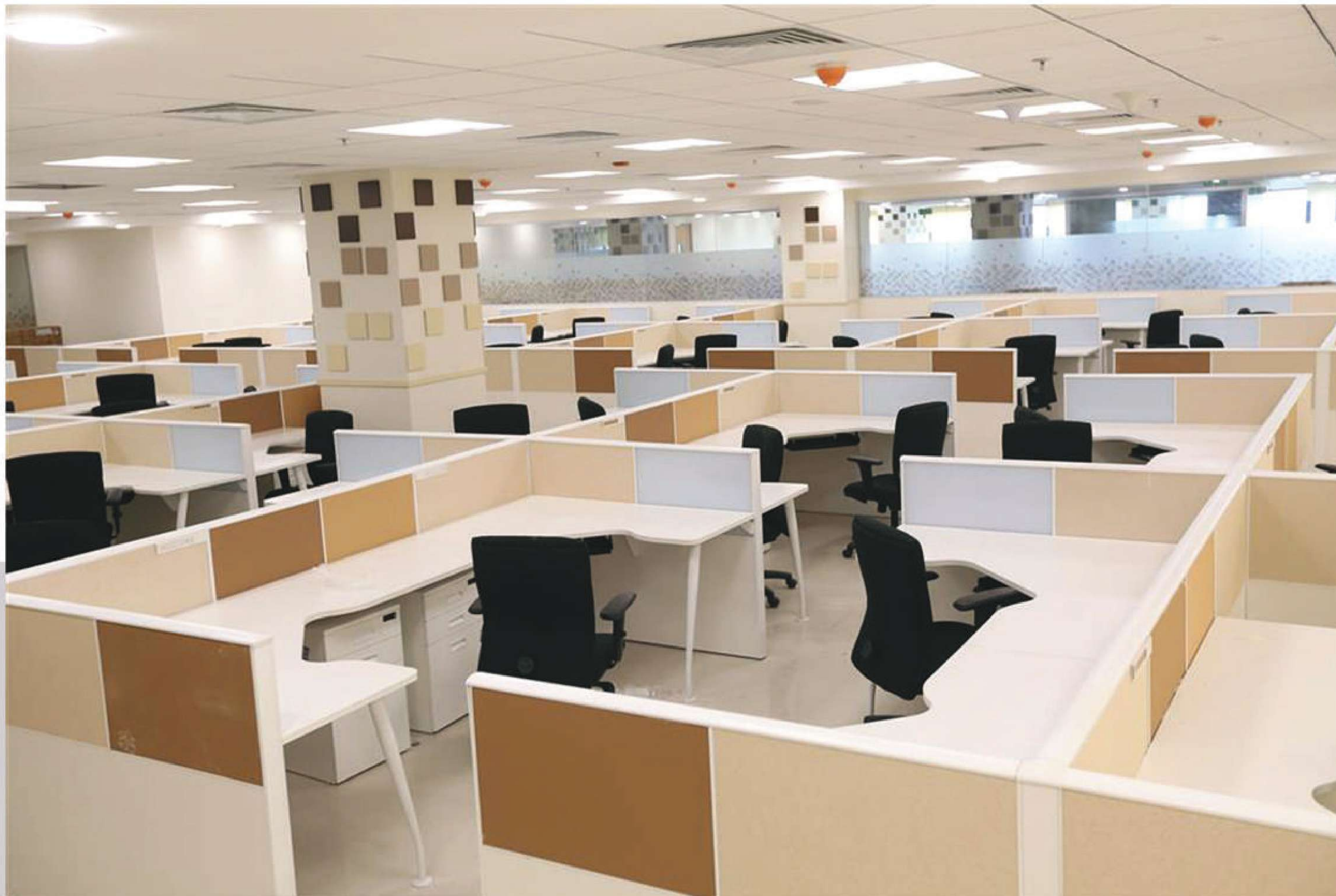
*Whiteboard /Softboard*

Table Top Length:- 600/900/1200/1500mm  
As per your requirement

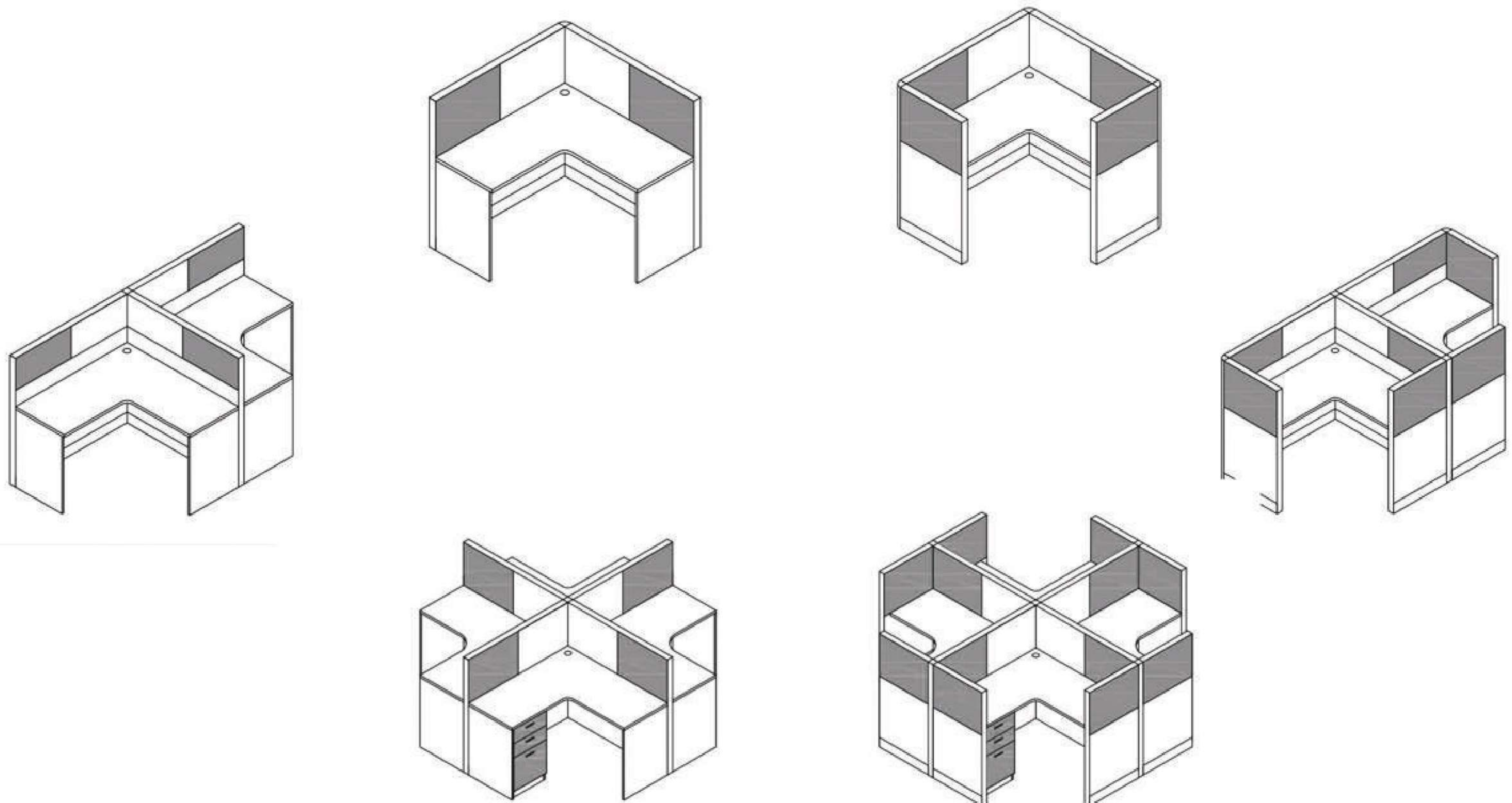
Table top depth:- 600/750/900mm  
As per your requirement

Table top height-750mm

## CLUSTER MODULAR WORKSTATIONS



# MODULAR FURNITURE PARTITION SYSTEM



This Range provides an outstanding appearance for standout personalities. The durable rectangular steel frame and melamine top create a solid and highly superior product

# WOODEN PARTITION

## Key Features:

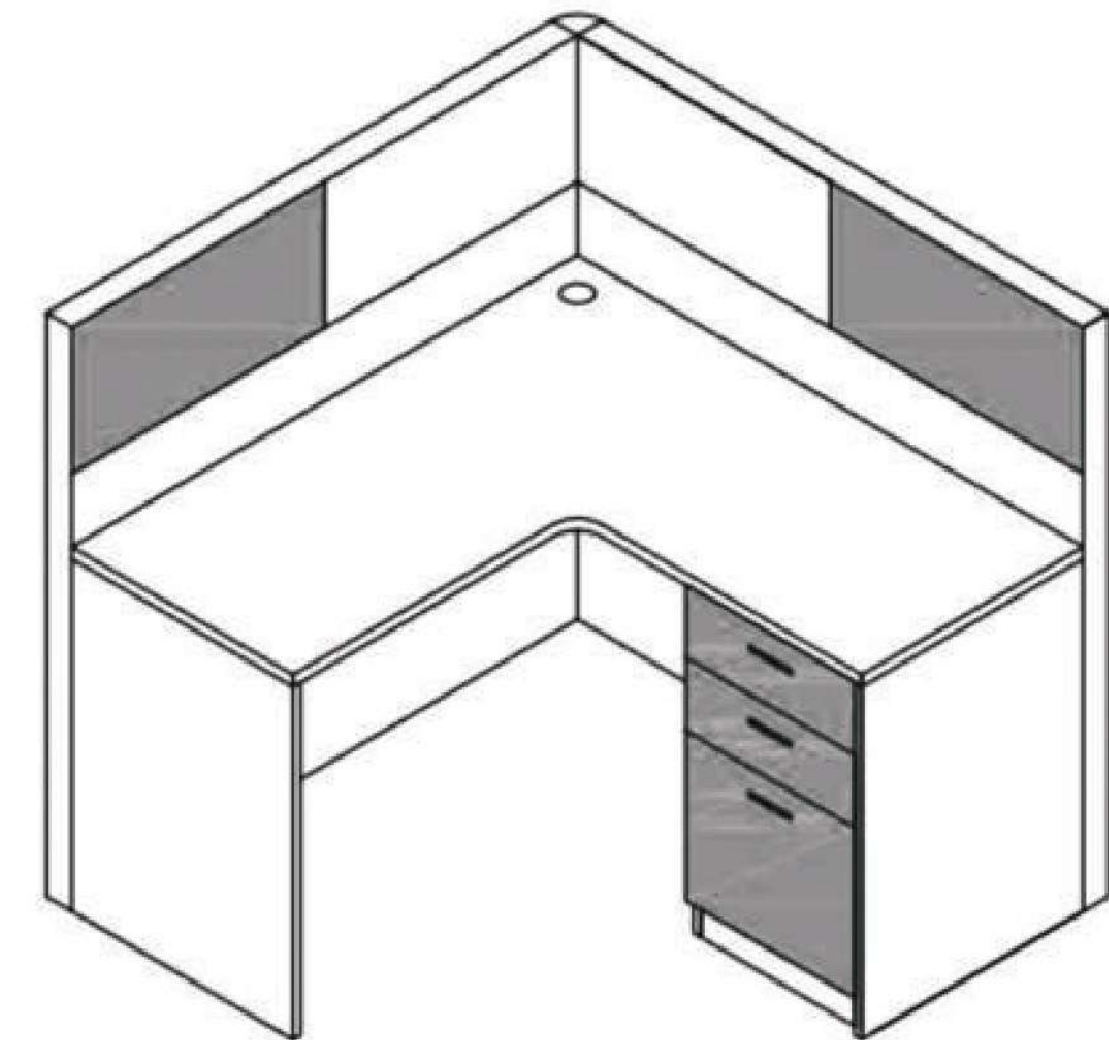
**Design:**  
Clean, straight lines for a minimalist, professional look.

**Material:**  
Durable, high-quality engineered wood or metal frame with laminate or veneer finish.

**Modularity:**  
Components can be rearranged or expanded to create different workspaces (single desk, L-shape, or U-shape).

**Storage:**  
Optional integrated drawers, shelves, or cable management trays.

**Dimensions:**  
Available in multiple sizes to fit small to large office spaces.



## Description:-

*Whiteboard /Softboard*

Table Top Length:- 600/900/1200/1500mm  
As per your requirement

Table top depth:- 600/750/900mm  
As per your requirement

Table top height-750mm

# ALUMINIUM PARTITION

## Key Features:

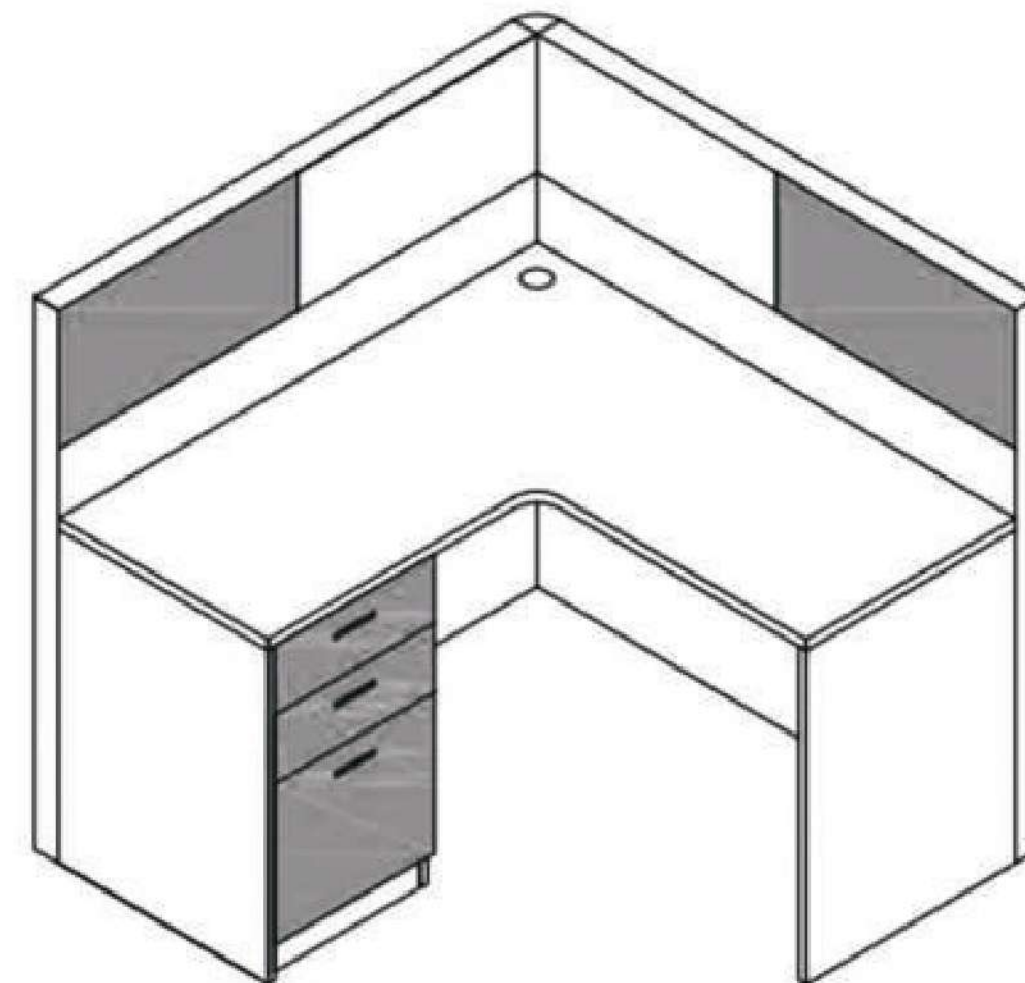
**Design:**  
Clean, straight lines for a minimalist, professional look.

**Material:**  
Durable, high-quality engineered wood or metal frame with laminate or veneer finish.

**Modularity:**  
Components can be rearranged or expanded to create different workspaces (single desk, L-shape, or U-shape).

**Storage:**  
Optional integrated drawers, shelves, or cable management trays.

**Dimensions:**  
Available in multiple sizes to fit small to large office spaces.



## Description:-

*Whiteboard /Softboard*

Table Top Length:- 600/900/1200/1500mm  
As per your requirement

Table top depth:- 600/750/900mm  
As per your requirement

Table top height-750mm

# ALUMINIUM PARTITION

## Key Features:

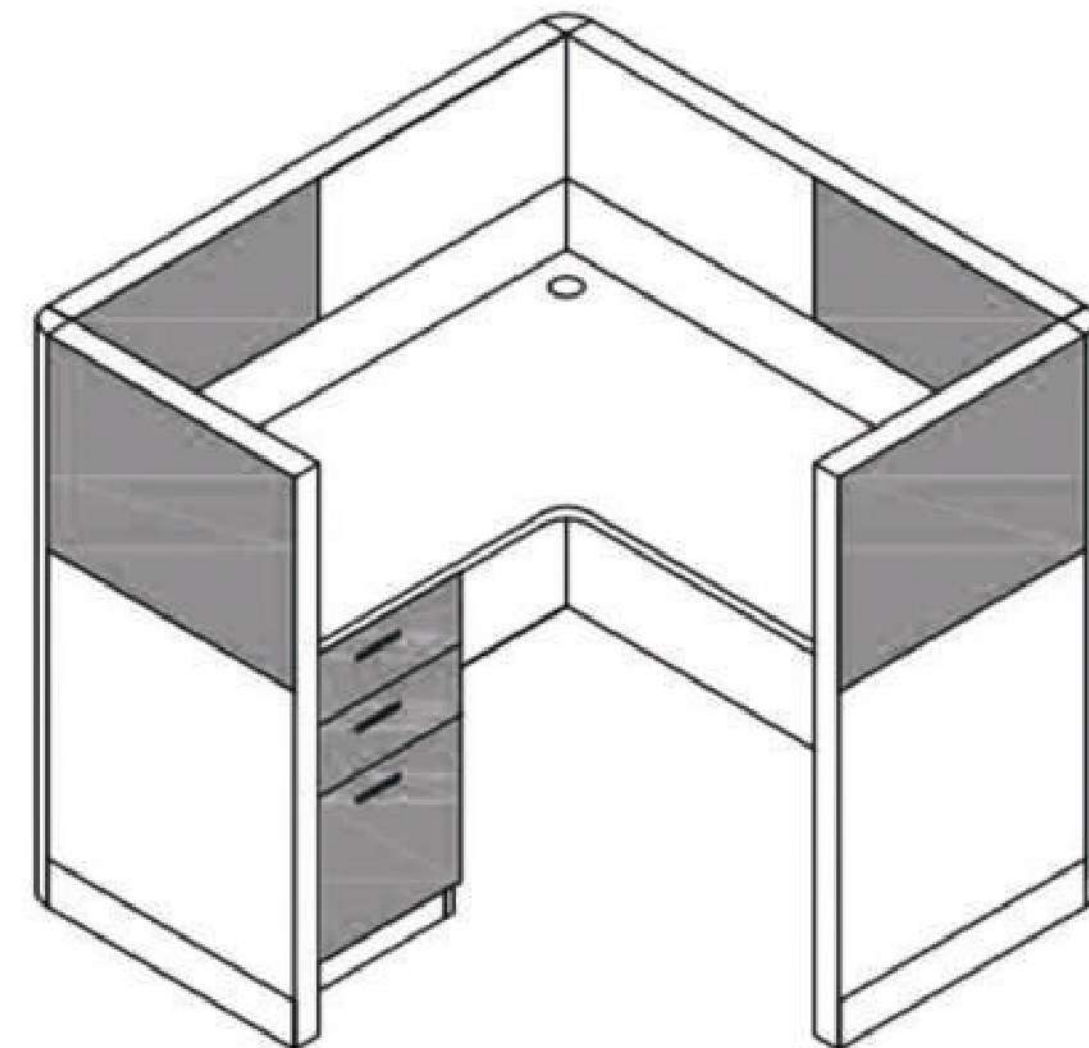
**Design:**  
Clean, straight lines for a minimalist, professional look.

**Material:**  
Durable, high-quality engineered wood or metal frame with laminate or veneer finish.

**Modularity:**  
Components can be rearranged or expanded to create different workspaces (single desk, L-shape, or U-shape).

**Storage:**  
Optional integrated drawers, shelves, or cable management trays.

**Dimensions:**  
Available in multiple sizes to fit small to large office spaces.



## Description:-

*Whiteboard /Softboard*

Table Top Length:- 600/900/1200/1500mm  
As per your requirement

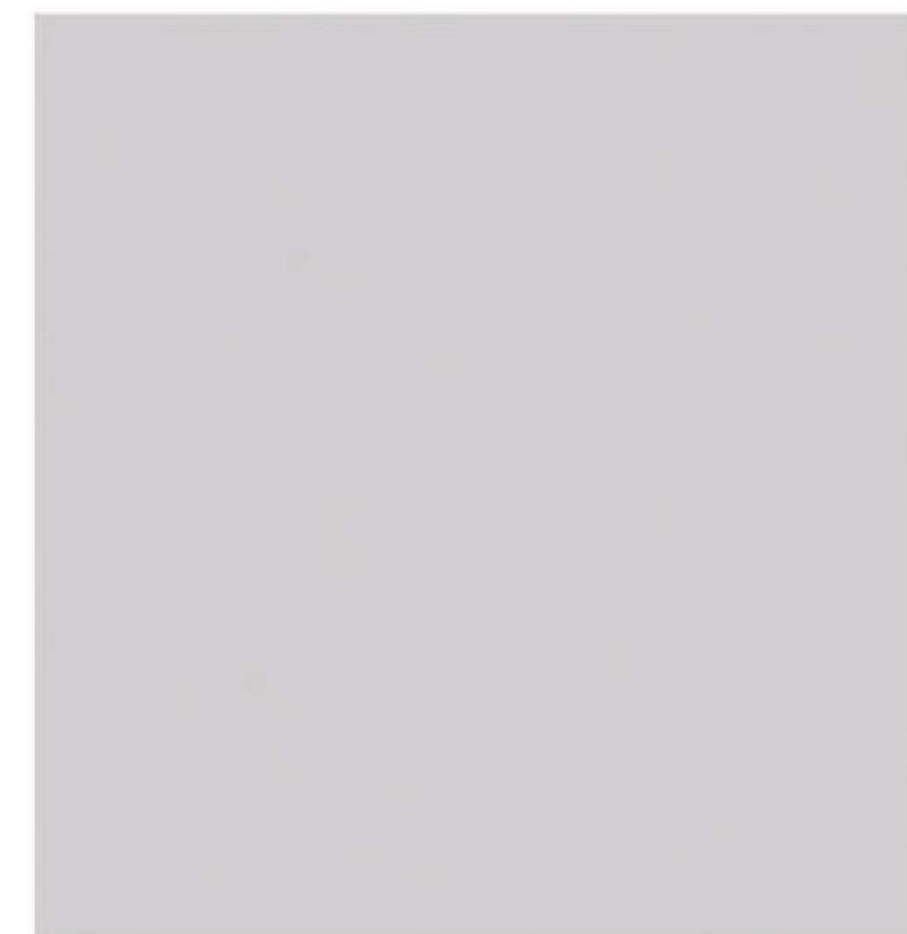
Table top depth:- 600/750/900mm  
As per your requirement

Table top height-750mm

# DESK BASED WORKSTATIONS



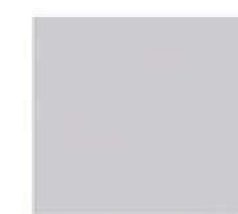
# METAL SERIES



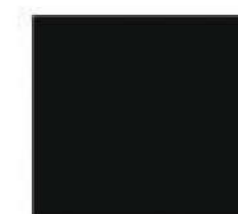
Legs color



WHITE



SILVER



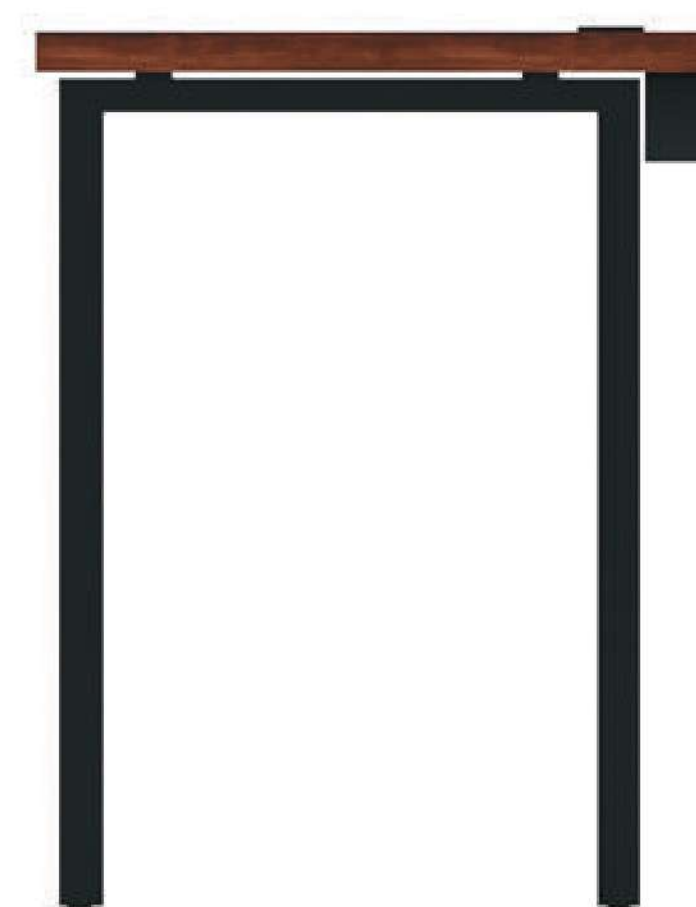
BLACK



BLUE

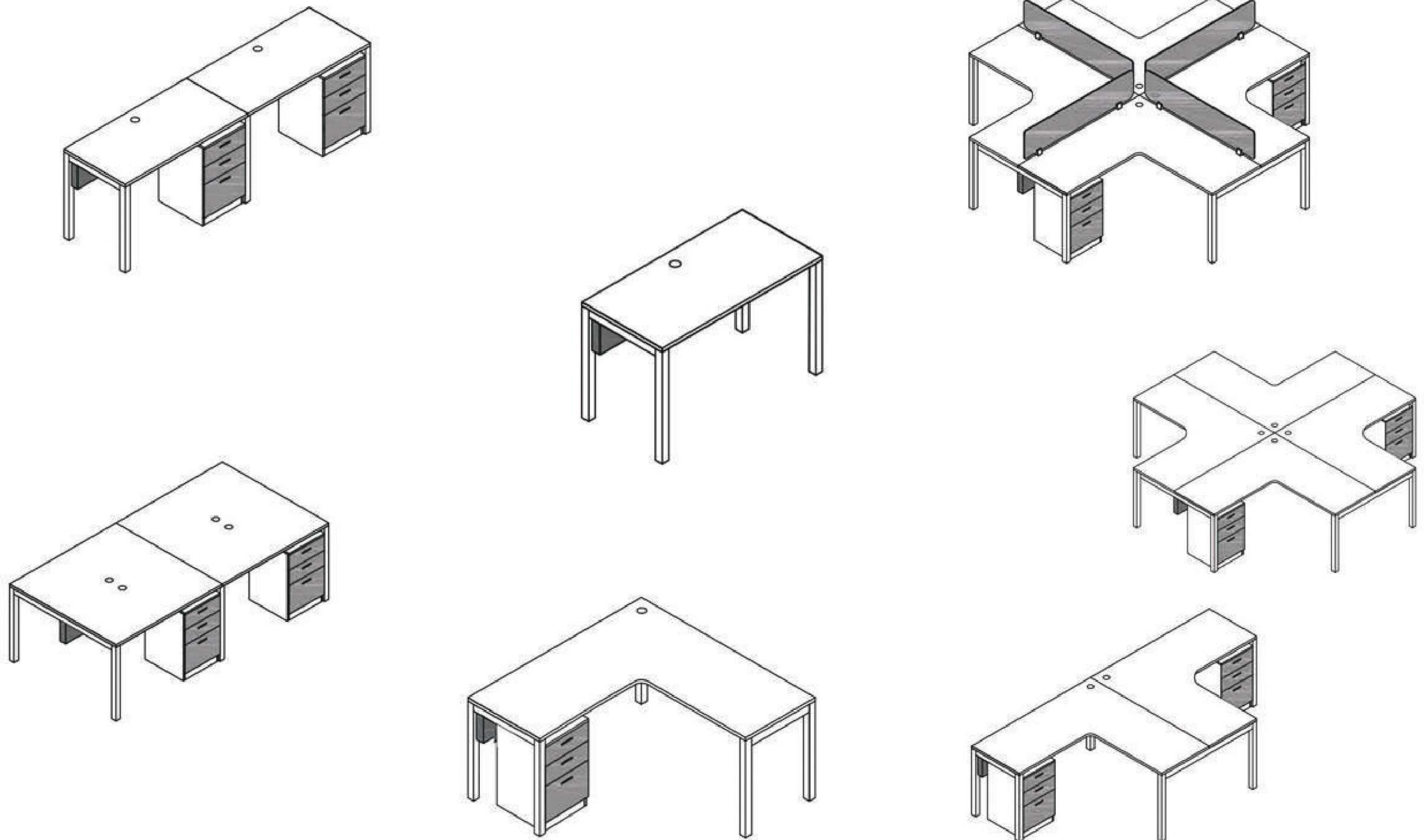


RUBY



**U SHAPE METAL LEG**  
Aluminum Powder coated Sole Leg

## MODULAR DESK BASED WORKSTATION SERIES



This Range provides an outstanding appearance for standout personalities. The durable rectangular steel frame and melamine top create a solid and highly superior product

# U SHAPE LEG

## Key Features:

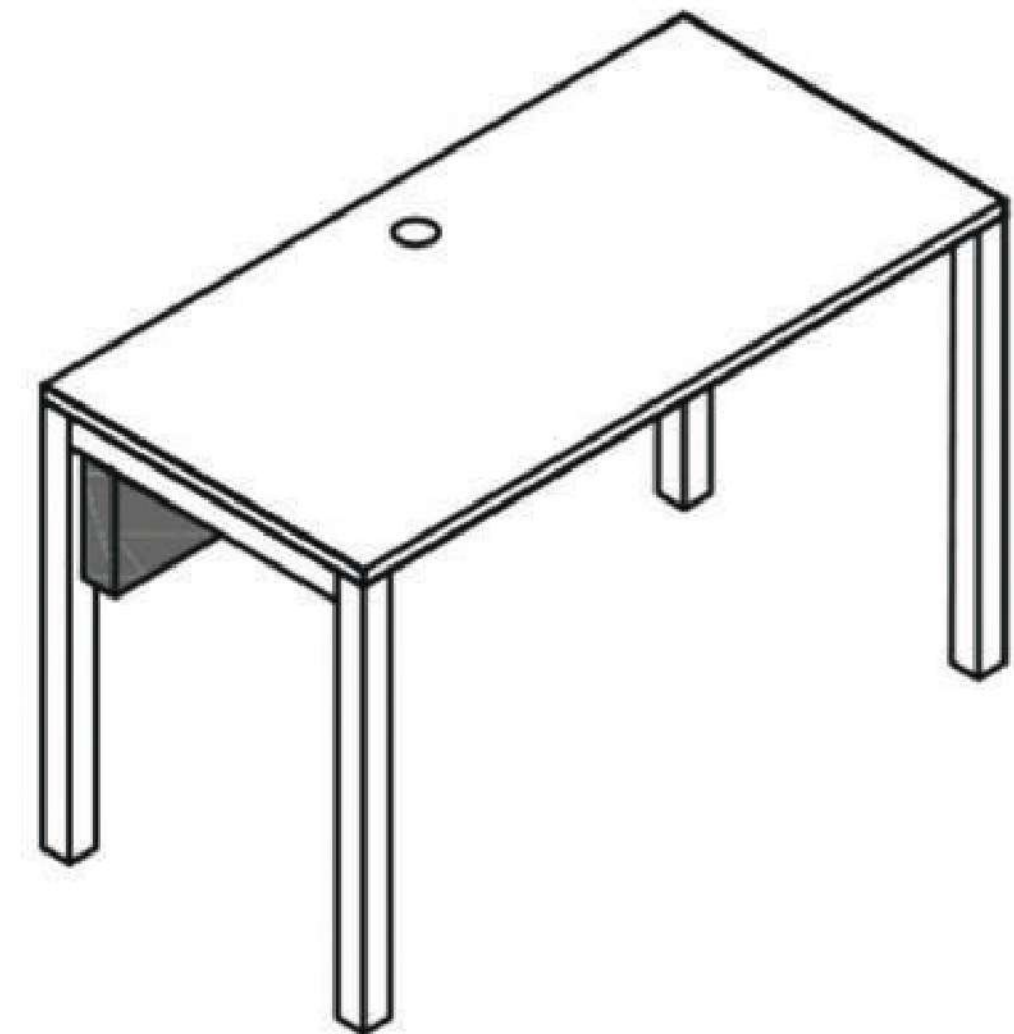
**Design:**  
Clean, straight lines for a minimalist, professional look.

**Material:**  
Durable, high-quality engineered wood or metal frame with laminate or veneer finish.

**Modularity:**  
Components can be rearranged or expanded to create different workspaces (single desk, L-shape, or U-shape).

**Storage:**  
Optional integrated drawers, shelves, or cable management trays.

**Dimensions:**  
Available in multiple sizes to fit small to large office spaces.



## Description:-

*Whiteboard /Softboard*

Table Top Length:- 600/900/1200/1500mm  
As per your requirement

Table top depth:- 600/750/900mm  
As per your requirement

Table top height-750mm

# U SHAPE LEG

## Key Features:

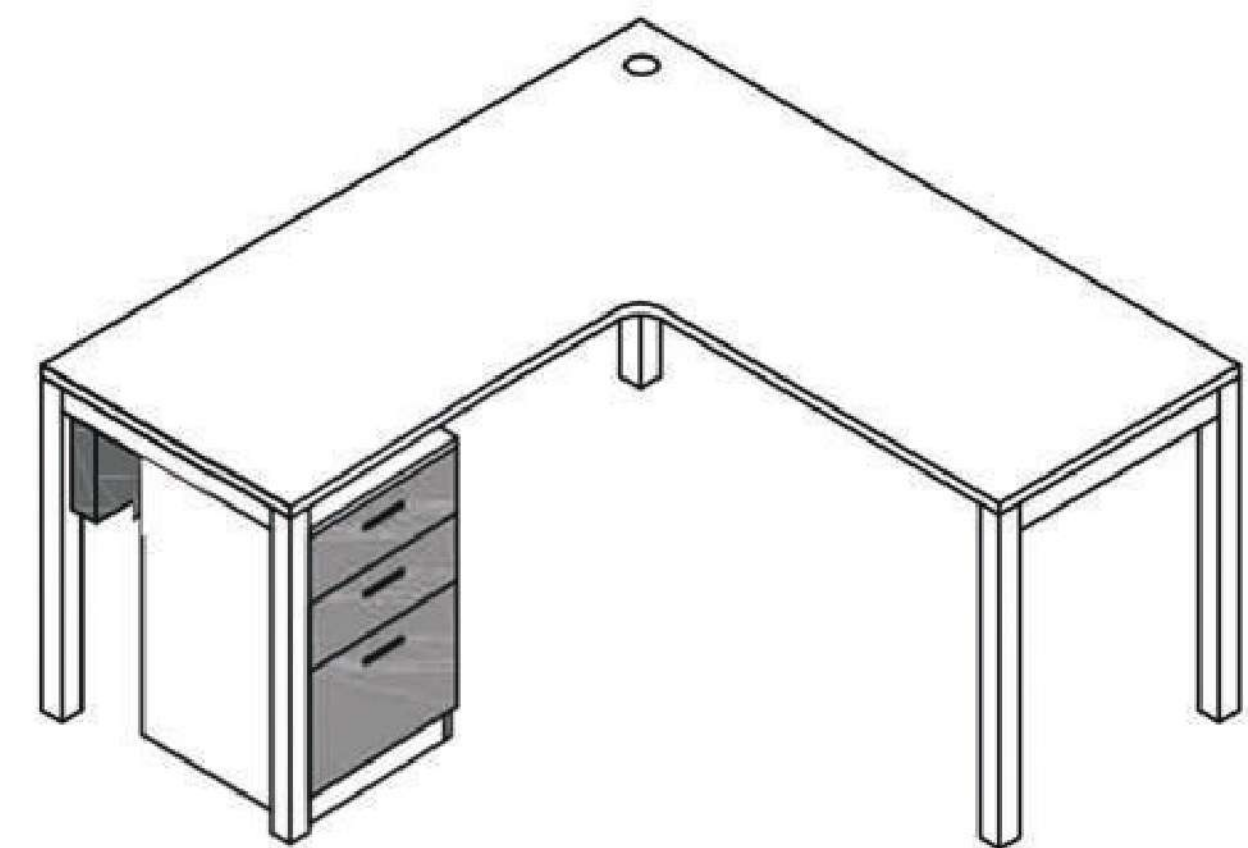
**Design:**  
Clean, straight lines for a minimalist, professional look.

**Material:**  
Durable, high-quality engineered wood or metal frame with laminate or veneer finish.

**Modularity:**  
Components can be rearranged or expanded to create different workspaces (single desk, L-shape, or U-shape).

**Storage:**  
Optional integrated drawers, shelves, or cable management trays.

**Dimensions:**  
Available in multiple sizes to fit small to large office spaces.



## Description:-

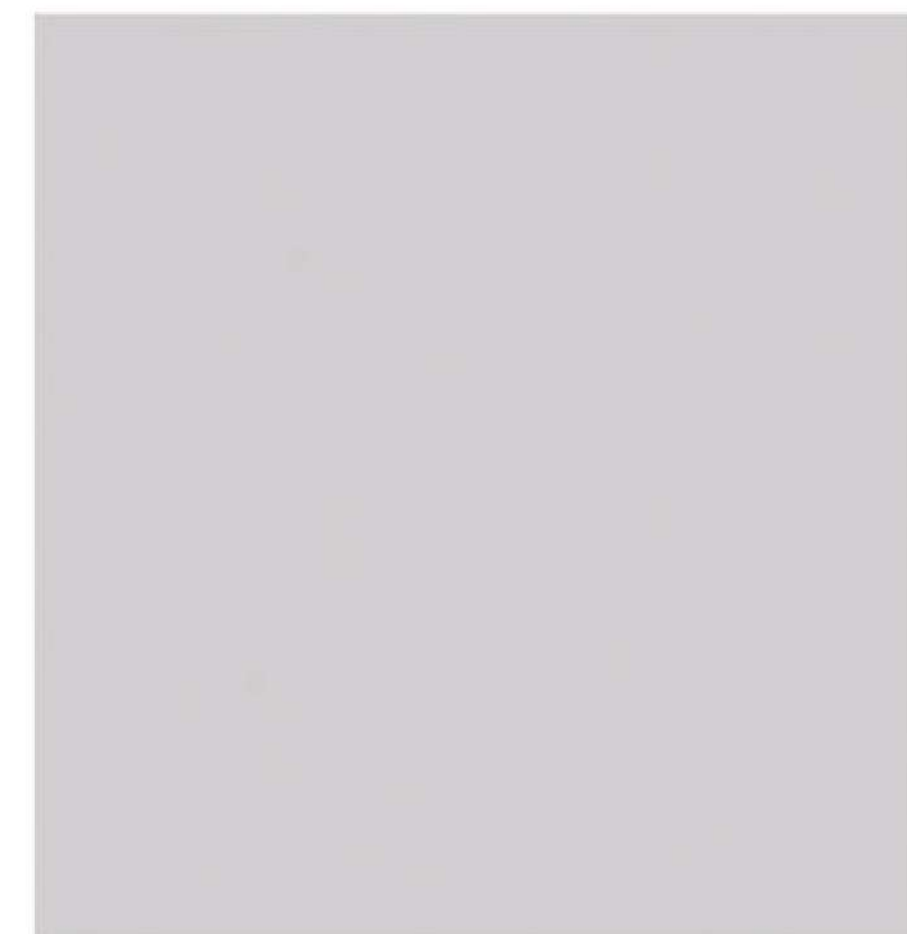
*Whiteboard /Softboard*

Table Top Length:- 600/900/1200/1500mm  
As per your requirement

Table top depth:- 600/750/900mm  
As per your requirement

Table top height-750mm

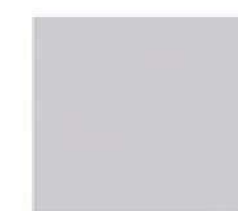
# METAL SERIES



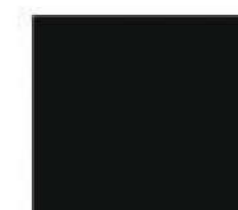
Legs color



WHITE



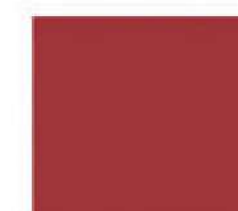
SILVER



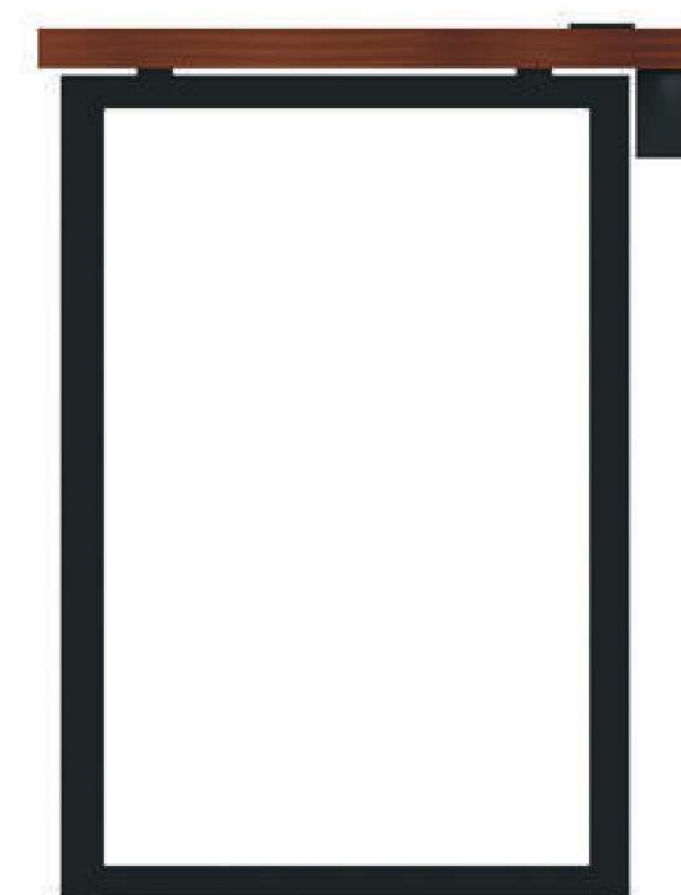
BLACK



BLUE



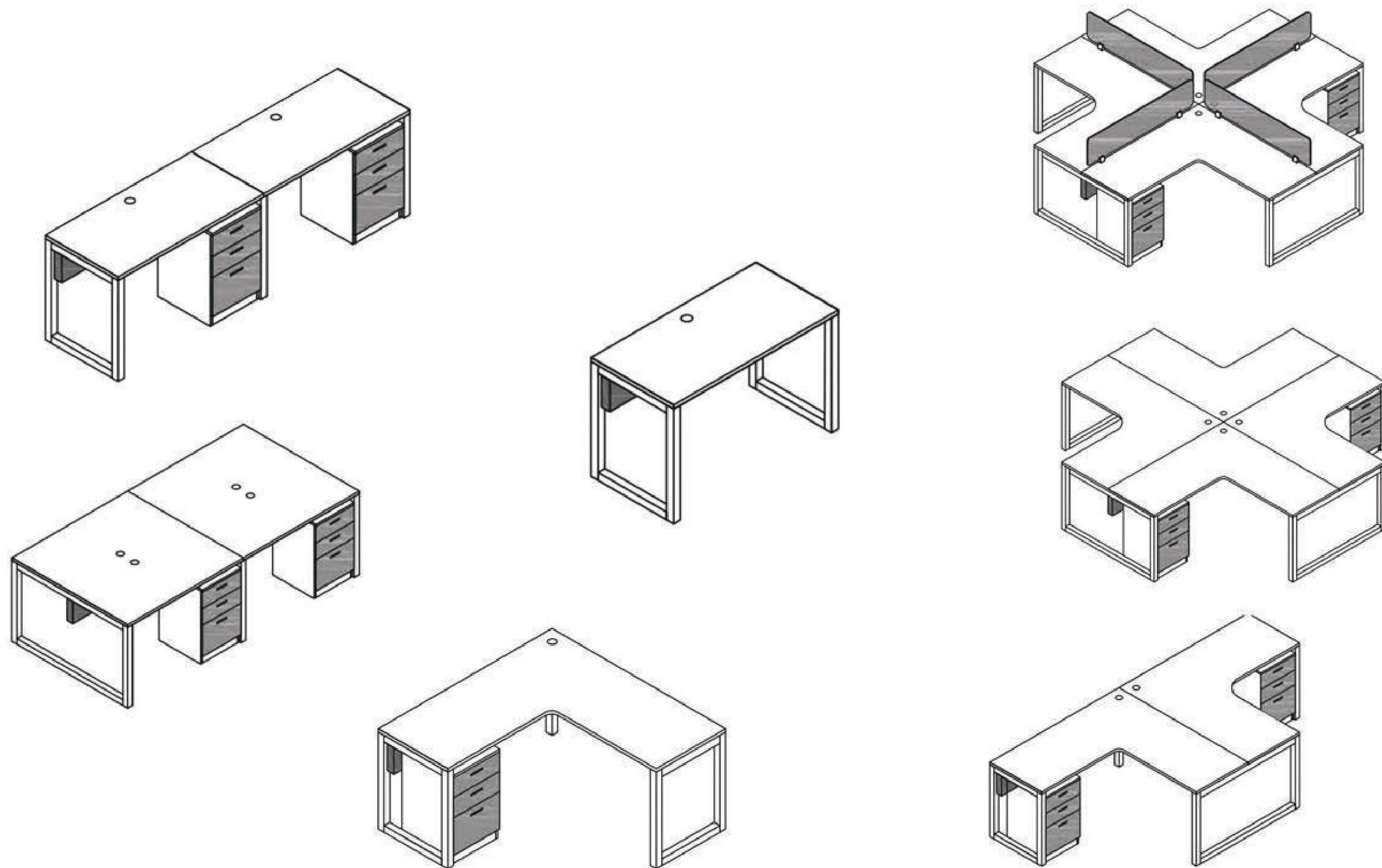
RUBY



**SQUARE** SHAPE METAL LEG

Aluminum Powder coated Sole Leg

## MODULAR FURNITURE SQUARE LEG SERIES



This Range provides an outstanding appearance for standout personalities. The durable rectangular steel frame and melamine top create a solid and highly superior product

# SQAURE SHAPE LEG

## Key Features:

### Design:

Clean, straight lines for a minimalist, professional look.

### Material:

Durable, high-quality engineered wood or metal frame with laminate or veneer finish.

### Modularity:

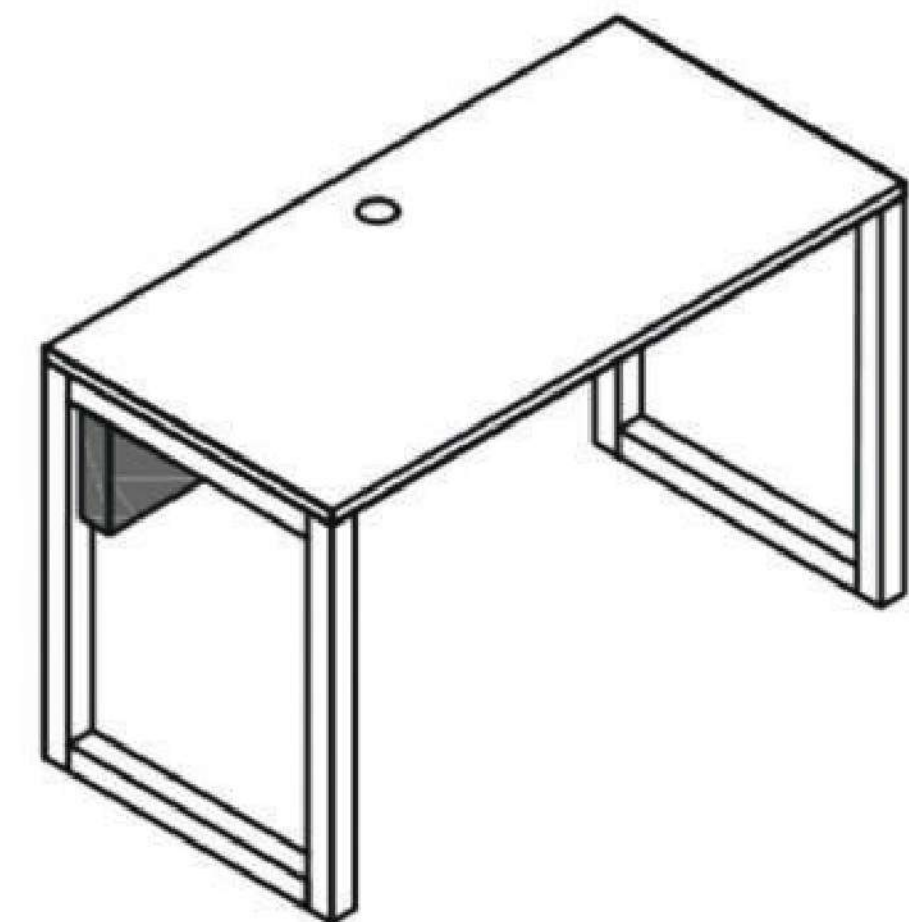
Components can be rearranged or expanded to create different workspaces (single desk, L-shape, or U-shape).

### Storage:

Optional integrated drawers, shelves, or cable management trays.

### Dimensions:

Available in multiple sizes to fit small to large office spaces.



## Description:-

*Whiteboard /Softboard*

Table Top Length:- 600/900/1200/1500mm  
As per your requirement

Table top depth:- 600/750/900mm  
As per your requirement

Table top height-750mm

# SQUARE SHAPE LEG

## Key Features:

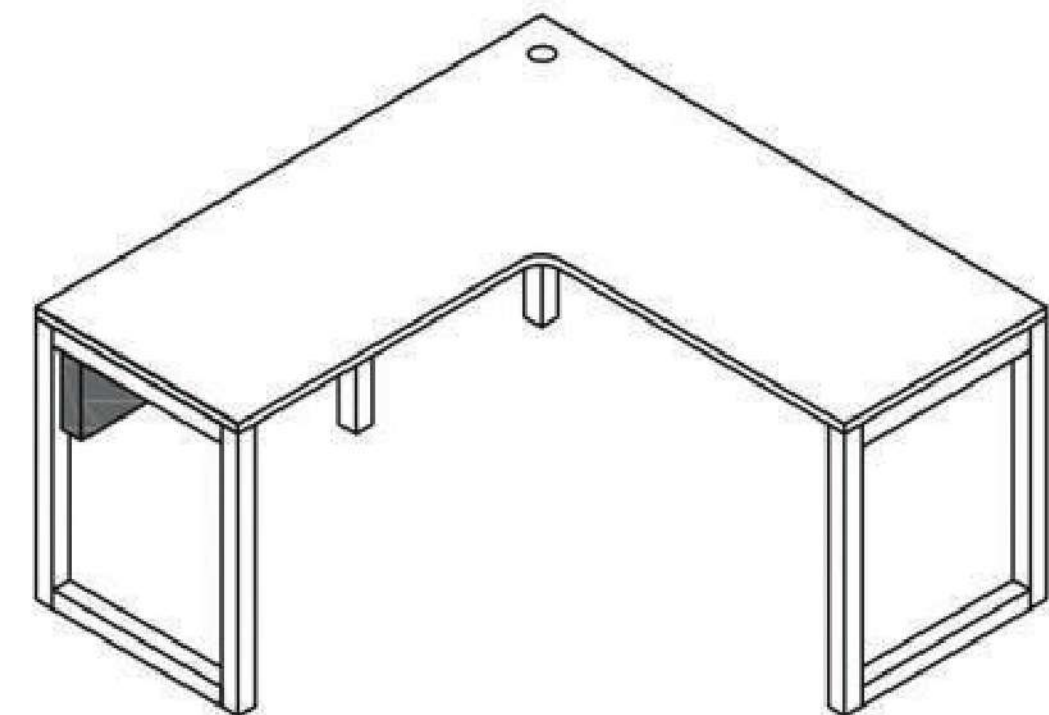
**Design:**  
Clean, straight lines for a minimalist, professional look.

**Material:**  
Durable, high-quality engineered wood or metal frame with laminate or veneer finish.

**Modularity:**  
Components can be rearranged or expanded to create different workspaces (single desk, L-shape, or U-shape).

**Storage:**  
Optional integrated drawers, shelves, or cable management trays.

**Dimensions:**  
Available in multiple sizes to fit small to large office spaces.



## Description:-

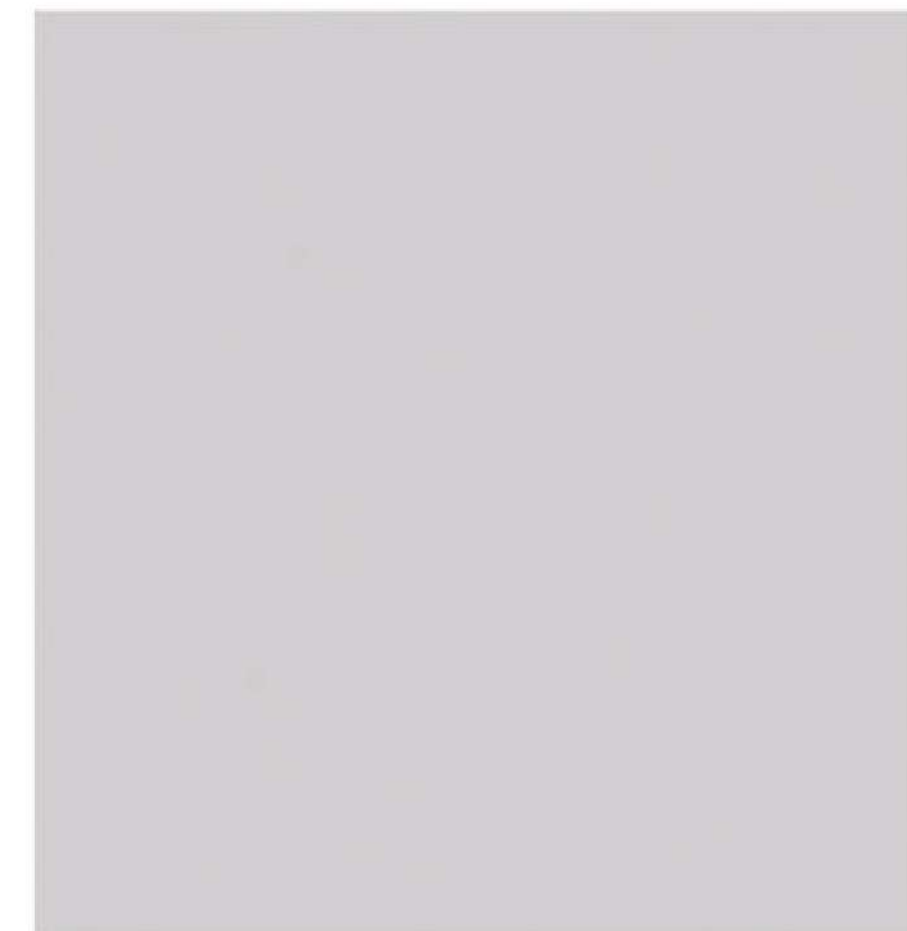
*Whiteboard /Softboard*

Table Top Length:- 600/900/1200/1500mm  
As per your requirement

Table top depth:- 600/750/900mm  
As per your requirement

Table top height-750mm

# METAL SERIES



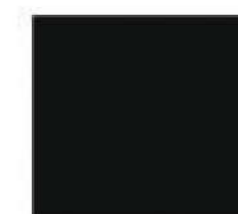
Legs color



WHITE



SILVER



BLACK



BLUE



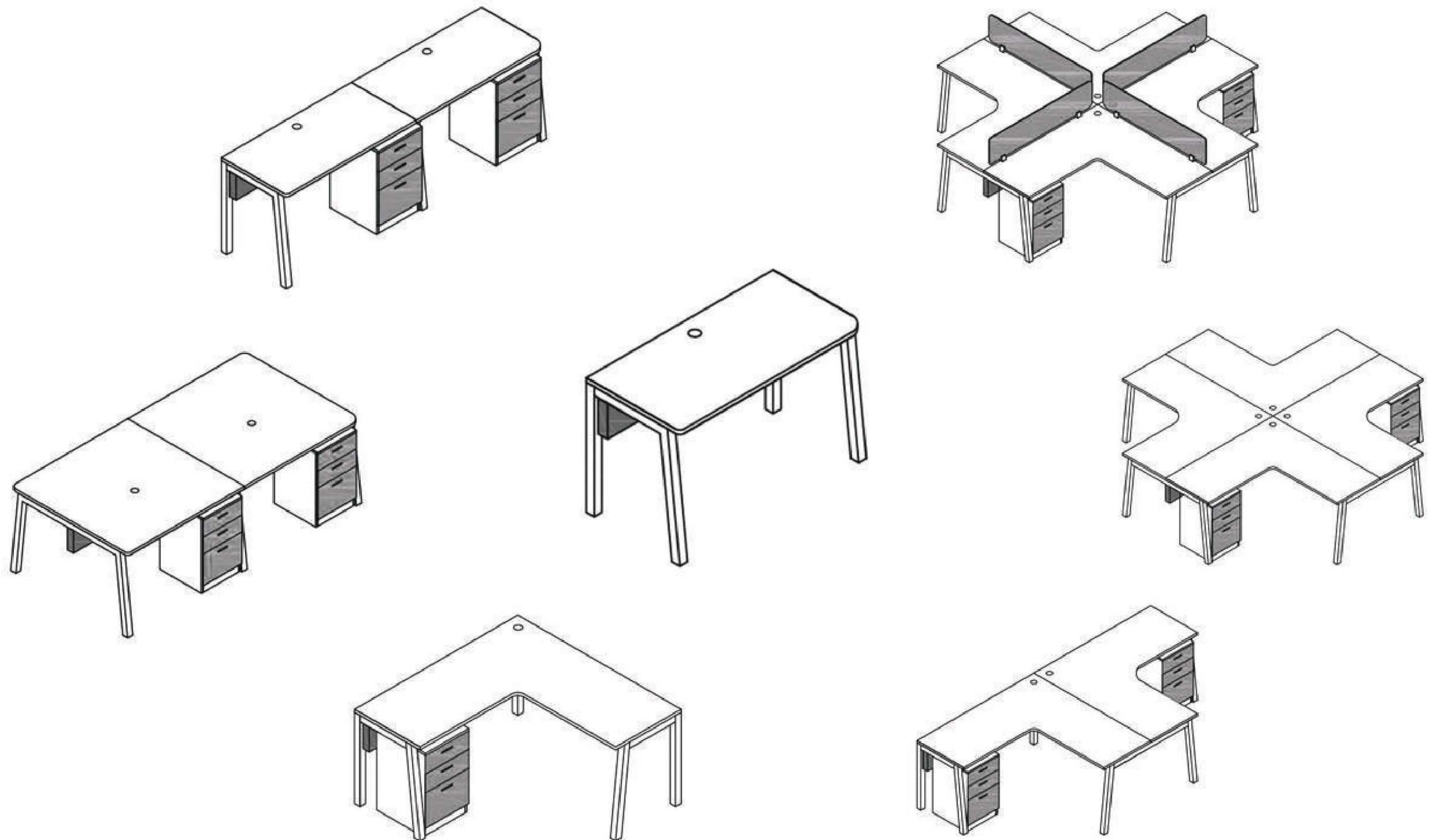
RUBY



**FLARED** SHAPE METAL LEG <sup>RUBY</sup>

Aluminum Powder coated Sole Leg

## MODULAR FURNITURE FLARED LEG SERIES



This Range provides an outstanding appearance for standout personalities. The durable rectangular steel frame and melamine top create a solid and highly superior product

# FLARED SHAPE LEG

## Key Features:

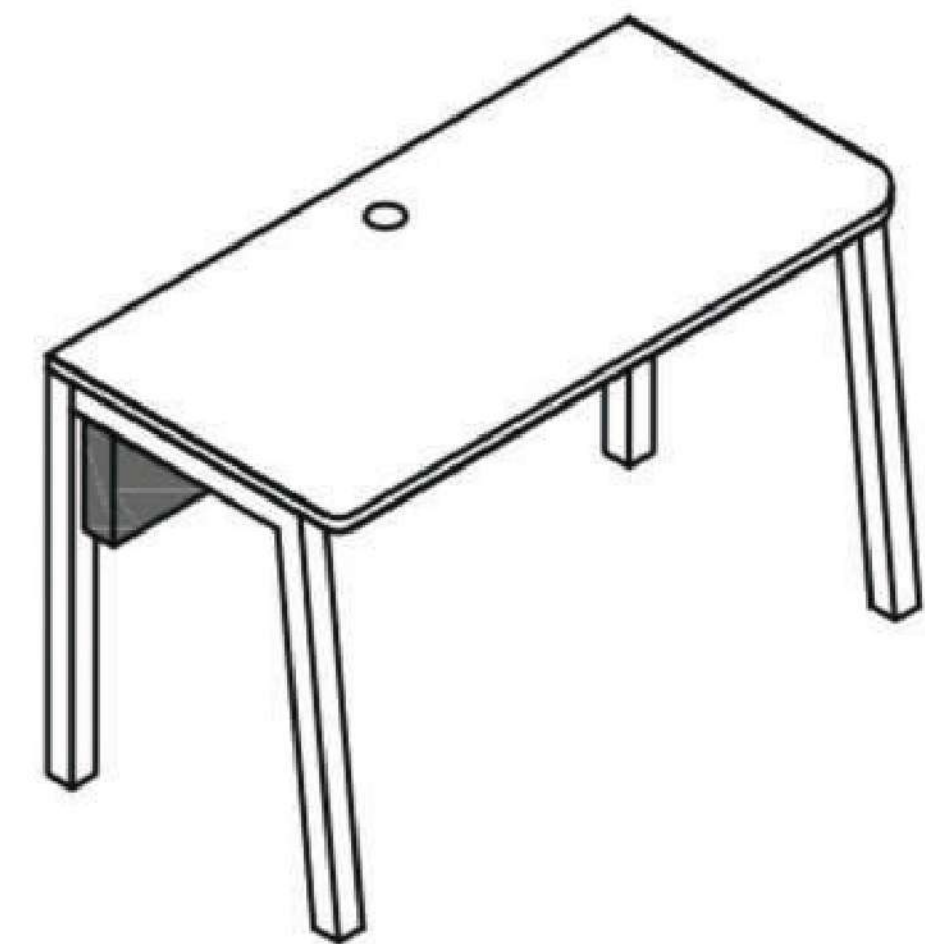
**Design:**  
Clean, straight lines for a minimalist, professional look.

**Material:**  
Durable, high-quality engineered wood or metal frame with laminate or veneer finish.

**Modularity:**  
Components can be rearranged or expanded to create different workspaces (single desk, L-shape, or U-shape).

**Storage:**  
Optional integrated drawers, shelves, or cable management trays.

**Dimensions:**  
Available in multiple sizes to fit small to large office spaces.



## Description:-

*Whiteboard /Softboard*

Table Top Length:- 600/900/1200/1500mm  
As per your requirement

Table top depth:- 600/750/900mm  
As per your requirement

Table top height-750mm

# FLARED SHAPE LEG

## L TYPE

### Key Features:

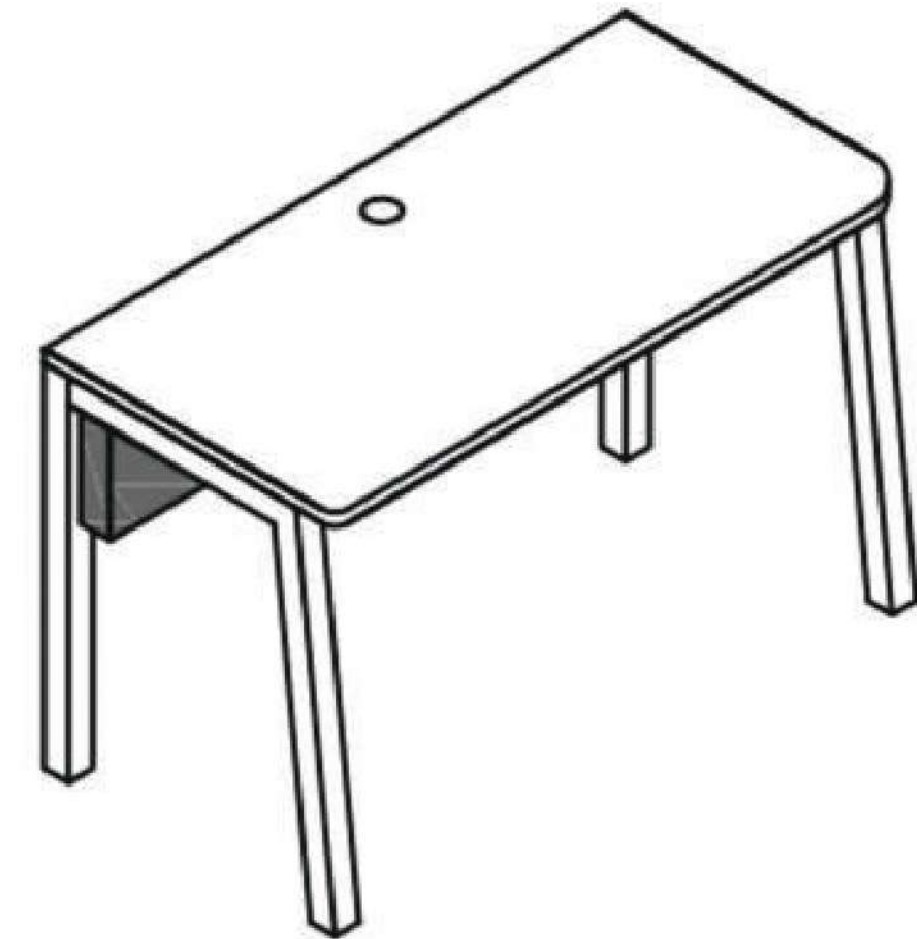
**Design:**  
Clean, straight lines for a minimalist, professional look.

**Material:**  
Durable, high-quality engineered wood or metal frame with laminate or veneer finish.

**Modularity:**  
Components can be rearranged or expanded to create different workspaces (single desk, L-shape, or U-shape).

**Storage:**  
Optional integrated drawers, shelves, or cable management trays.

**Dimensions:**  
Available in multiple sizes to fit small to large office spaces.



### Description:-

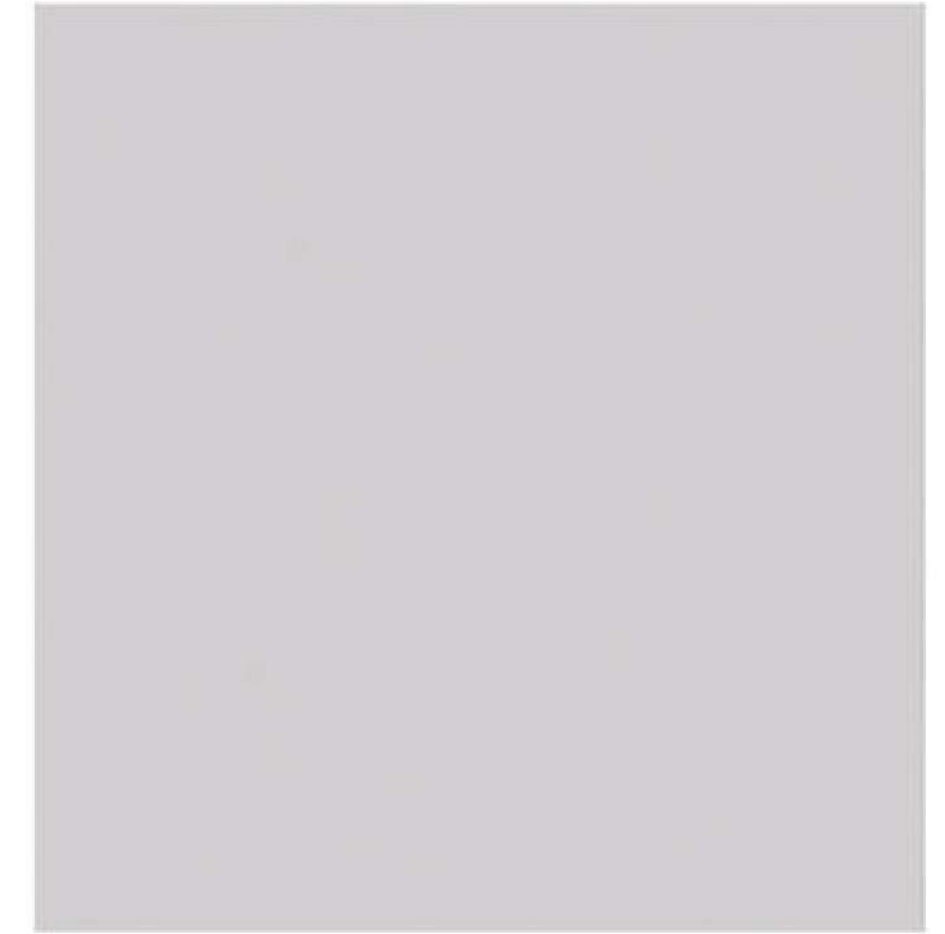
*Whiteboard /Softboard*

Table Top Length:- 600/900/1200/1500mm  
As per your requirement

Table top depth:- 600/750/900mm  
As per your requirement

Table top height-750mm

# METAL SERIES



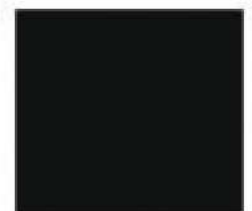
Legs color



WHITE



SILVER



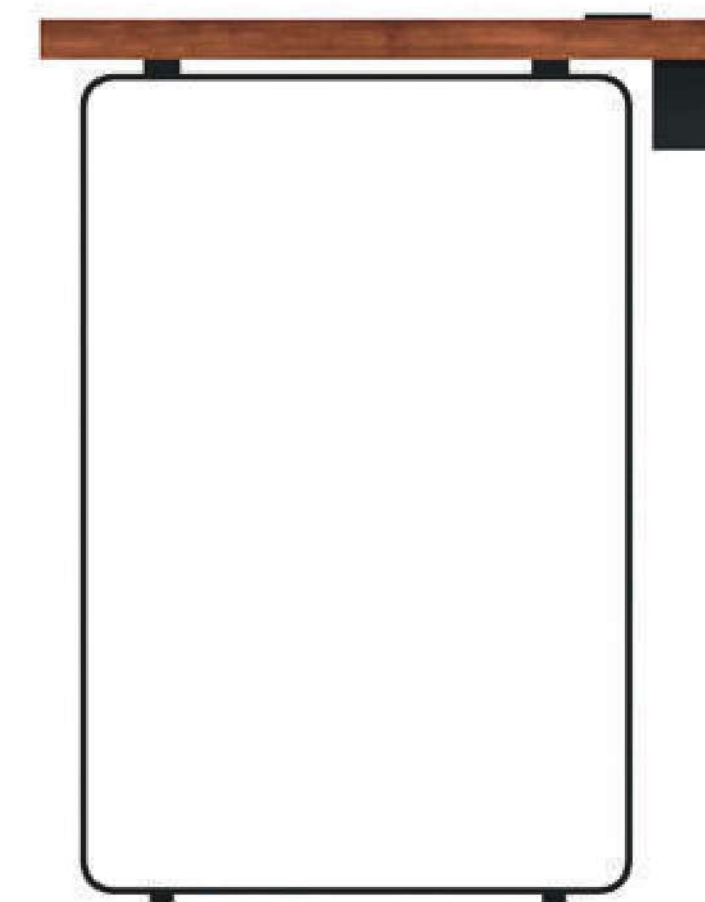
BLACK



BLUE



RUBY



**FILLET** SHAPE METAL LEG

Aluminum Powder coated Sole Leg

# FILLET SHAPE LEG

## Key Features:

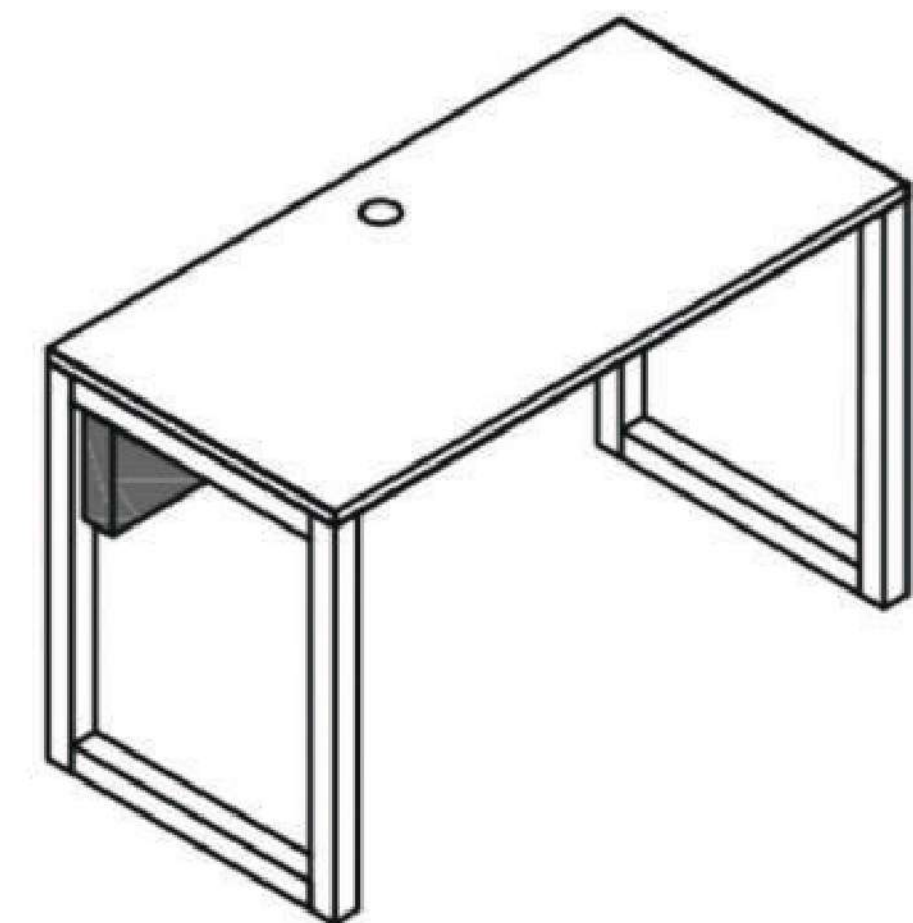
**Design:**  
Clean, straight lines for a minimalist, professional look.

**Material:**  
Durable, high-quality engineered wood or metal frame with laminate or veneer finish.

**Modularity:**  
Components can be rearranged or expanded to create different workspaces (single desk, L-shape, or U-shape).

**Storage:**  
Optional integrated drawers, shelves, or cable management trays.

**Dimensions:**  
Available in multiple sizes to fit small to large office spaces.



## Description:-

*Whiteboard /Softboard*

Table Top Length:- 600/900/1200/1500mm  
As per your requirement

Table top depth:- 600/750/900mm  
As per your requirement

Table top height-750mm

# METAL SERIES



# FILLET SHAPE LEG

## Key Features:

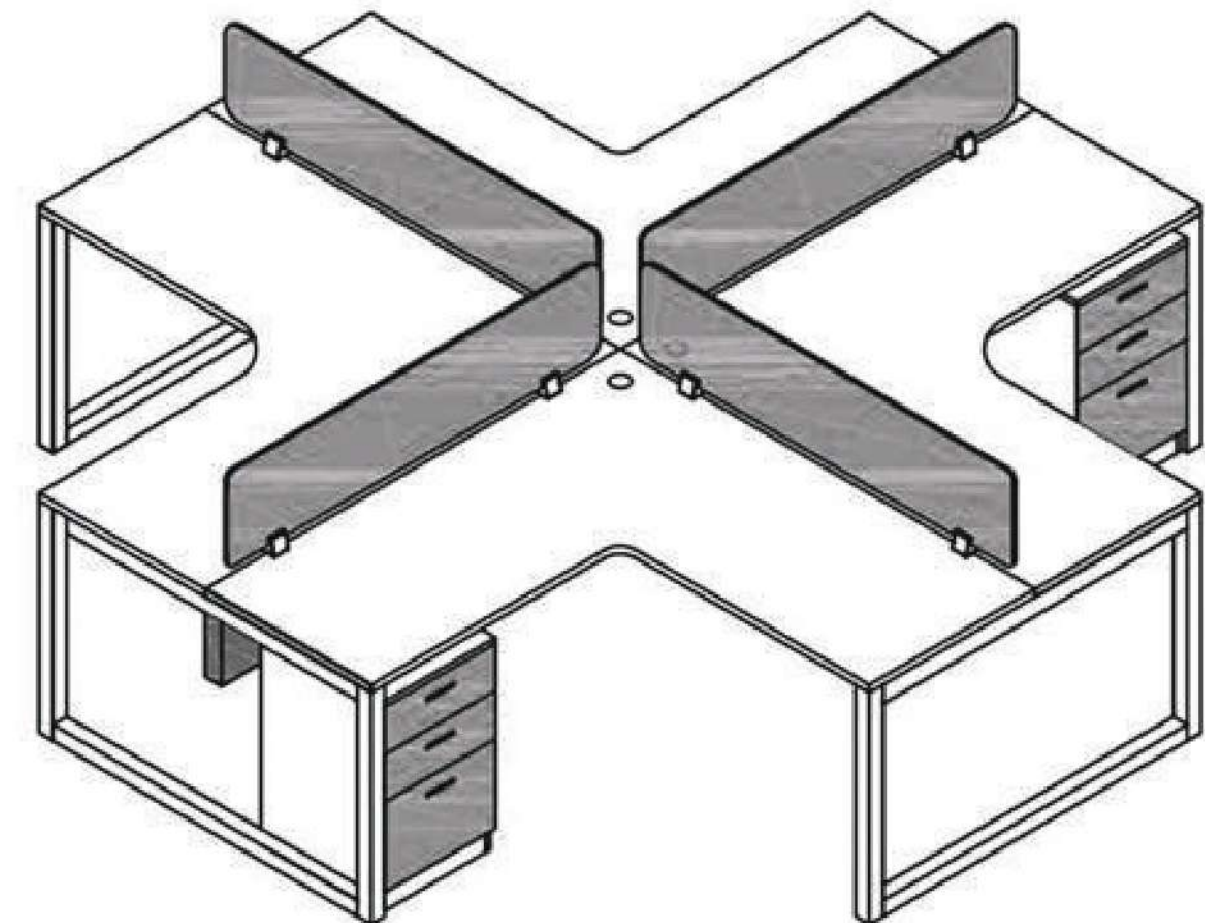
**Design:**  
Clean, straight lines for a minimalist, professional look.

**Material:**  
Durable, high-quality engineered wood or metal frame with laminate or veneer finish.

**Modularity:**  
Components can be rearranged or expanded to create different workspaces (single desk, L-shape, or U-shape).

**Storage:**  
Optional integrated drawers, shelves, or cable management trays.

**Dimensions:**  
Available in multiple sizes to fit small to large office spaces.



## Description:-

*Whiteboard /Softboard*

Table Top Length:- 600/900/1200/1500mm  
As per your requirement

Table top depth:- 600/750/900mm  
As per your requirement

Table top height-750mm

# CENTRE TABLES

## Key Features:

### Design:

Clean, straight lines for a minimalist, professional look.

### Material:

Durable, high-quality engineered wood or metal frame with laminate or veneer finish.

### Modularity:

Components can be rearranged or expanded to create different workspaces (single desk, L-shape, or U-shape).

### Storage:

Optional integrated drawers, shelves, or cable management trays.

### Dimensions:

Available in multiple sizes to fit small to large office spaces.



## Description:-

25MM THK.  
CLEAR GLASS TOP WITH COMMERCIAL  
PLY FINISHED WITH LAMINATE

600(L) X 600(W) X 450(H)

Table top height-750mm

# CENTRE TABLES

## Key Features:

**Design:**  
Clean, straight lines for a minimalist, professional look.

**Material:**  
Durable, high-quality engineered wood or metal frame with laminate or veneer finish.

**Modularity:**  
Components can be rearranged or expanded to create different workspaces (single desk, L-shape, or U-shape).

**Storage:**  
Optional integrated drawers, shelves, or cable management trays.

**Dimensions:**  
Available in multiple sizes to fit small to large office spaces.



## Description:-

*Whiteboard /Softboard*

Table Top Dia:- 600/900  
As per your requirement

Table top Lenth:- 600/750/900mm  
able top Depth:- 600/750/900mm

As per your requirement

# CONFERENCE TABLES



# CONFERENCE TABLES

**Description:-**

Table Top Length:- 1800/2100/2400mm  
As per your requirement

Table top depth:- 1200/1350mm  
As per your requirement

Table top height-750mm



# PADESTALS

## Description:-

Table Top Length:-  
1800/2100/2400mm  
As per your requirement

Table top depth:- 1200/1350mm  
As per your requirement

Table top height-750mm



Single Drawer  
Size: 400/450/630mm(H)



Single Drawer with Shutter  
Size: 400/450/630mm(H)



Single Drawer with Shutter  
Size: 400/450/630mm(H)



Two Drawer  
Size: 400/450/630mm(H)



Three Drawer  
Size: 400/450/630mm(H)



Single Drawer with Shutter  
Size: 400/450/630mm(H)



Two Drawer  
Size: 400/450/630mm(H)



Three Drawer  
Size: 400/450/630mm(H)



Two Drawer With Seating  
Size: 400/450/630mm(H)

# SIDE UNIT With Handle

**Description:-**

Size: 400/450/900/1200  
As Per Your Requirement



Size: 400/450/900/1200  
As Per Your Requirement  
Shutter:- Two  
Height 630/750mm



Size: 400/450/900/1200  
As Per Your Requirement  
Shutter:- Two  
Drawer:- Two  
Height 630/750mm



Size: 400/450/900/1200  
As Per Your Requirement  
Shutter:- Two  
Drawer:-One Height 630/750mm



Size: 400/450/900/1200  
As Per Your Requirement  
Shutter:- One  
Drawer:- Three  
Height 630/750mm



Size: 400/450/900/1200  
As Per Your Requirement  
Shutter:-Two Slider  
Height 630/750mm



# SIDE UNIT

Description:-

Size: 400/450/900/1200  
As Per Your Requirement

With Handleless



Size: 400/450/900/1200  
As Per Your Requirement  
Shutter:- Two  
Height 630/750mm



Size: 400/450/900/1200  
As Per Your Requirement  
Shutter:- Two  
Drawer:- Two  
Height 630/750mm



Size: 400/450/900/1200  
As Per Your Requirement  
Shutter:- Two  
Drawer:- One Height 630/750mm



Size: 400/450/900/1200  
As Per Your Requirement  
Shutter:- One  
Drawer:- Three  
Height 630/750mm

# SIDE STORAGE Handless



Size: 400/450/900/1200  
As Per Your Requirement  
Shutter:- Three  
Drawer:-  
Height 630/750mm



Size: 400/450/900/1200  
As Per Your Requirement  
Shutter:- Three  
Drawer:- Three  
Height 630/750mm



Size: 400/450/900/1200  
As Per Your Requirement

Shutter:-Three  
Drawer: Two  
Height 630/750mm

# STORAGE UNIT

## Description:-

Size: 400/450/900/1200  
As Per Your Requirement



**Low Height Storage**  
Quantity : One Unit  
As Per Your Requirement

Size:600/900/1200  
750mm(H)  
Shutter:- Four



**Mid Height Storage**  
Quantity : One Unit  
As Per Your Requirement

Size:600/900/1200  
1200mm(H)  
Shutter:- Four



**Full Height Storage**  
Quantity : One Unit  
As Per Your Requirement

Size:600/900/1200  
2100mm(H)  
Shutter:- Four

# DISPLAY RACK



**Display Rack**

Length:- 1200/1800/2100/2400mm  
As per your requirement

Height:-1200/1500/1800/2100/2400  
As per your requirement



**Display Rack**

Length:- 1200/1800/2100/2400mm  
As per your requirement

Height:-1200/1500/1800/2100/2400  
As per your requirement

# DISPLAY RACK



**Display Rack**

Length:- 1200/1800/2100/2400mm  
As per your requirement

Height:-1200/1500/1800/2100/2400  
As per your requirement



**Display Rack**

Length:- 1200/1800/2100/2400mm  
As per your requirement

Height:-1200/1500/1800/2100/2400  
As per your requirement

# DISPLAY RACK



**Display Rack**

Length:- 1200/1800/2100/2400mm  
As per your requirement

Height:-1200/1500/1800/2100/2400  
As per your requirement



**Display Rack**

Length:- 1200/1800/2100/2400mm  
As per your requirement

Height:-1200/1500/1800/2100/2400  
As per your requirement

# BOOK STORAGE



## Book Storage

Length:- 1200/1800/2100/2400mm  
As per your requirement

Height:-1200/1500/1800/2100/2400  
As per your requirement



## Book Storage

Length:- 1200/1800/2100/2400mm  
As per your requirement

Height:-1200/1500/1800/2100/2400  
As per your requirement

# FABRICS

Scan QR for  
Fabric Catalogue



**Response**<sup>®</sup>  
Fabrics  
*Fabrics For The World's Best Offices*



E 188 CLOUDS



E 212 BLUSH



E 191 MED BLUE



E 126 CIELO



E 201 APPLE GREEN



E 186 AMETHYST



E 5016 N. BLUE



E 105 MELANZE



E 204 STEEL



E 181 DAGO ORANGE



E 151 LEMON



E 225 FROSTY SPRUCE



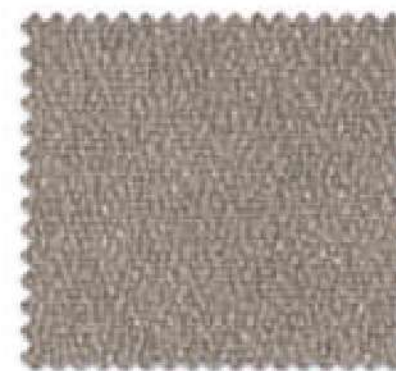
E 214 PINK



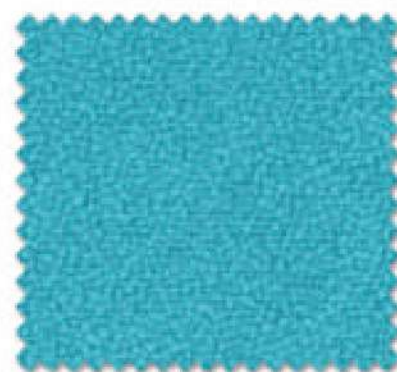
E 102 TRUE BLUE



E 108 STATE GREY



E 226 ASH



E 203 AQUA



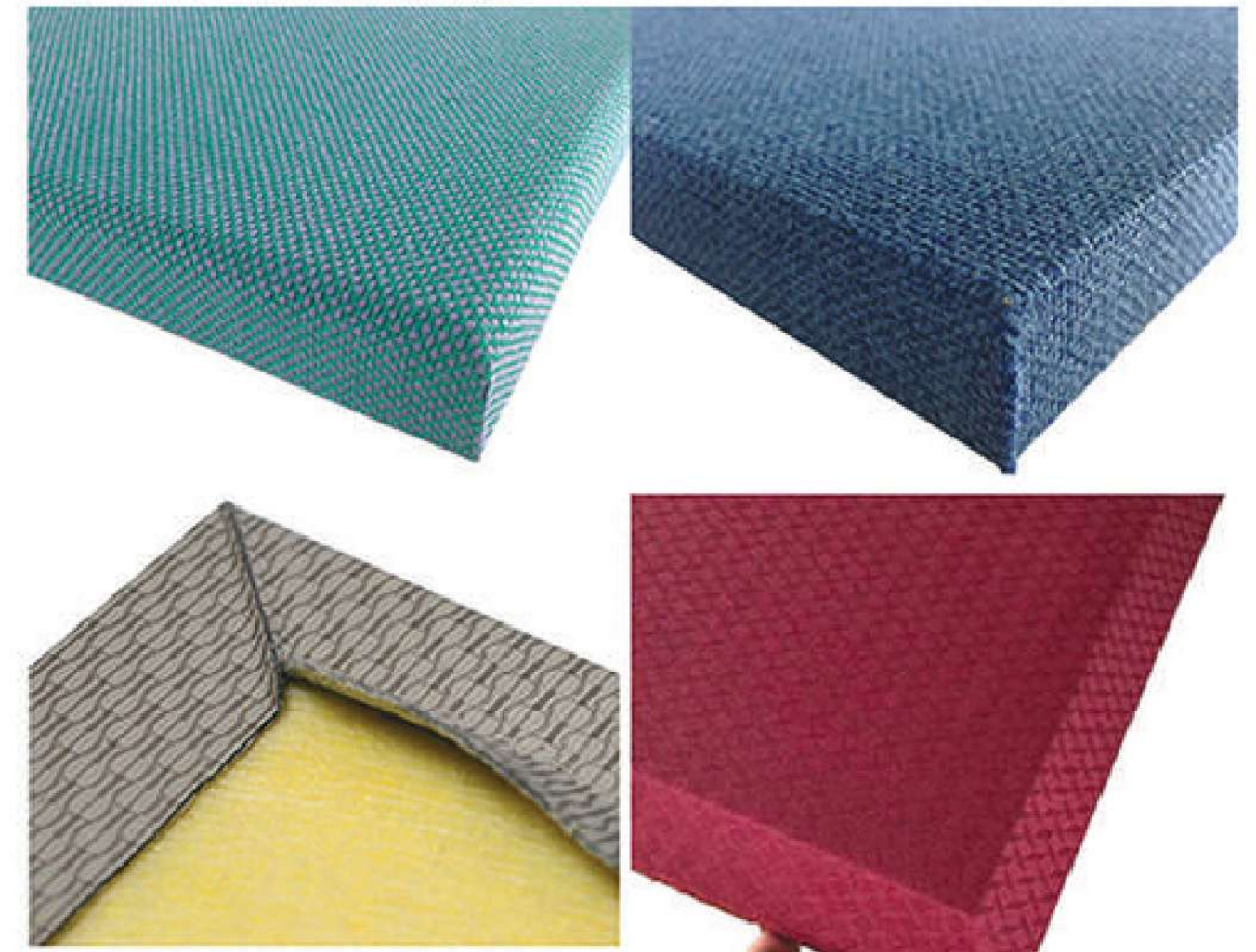
E 157 CINNAMON



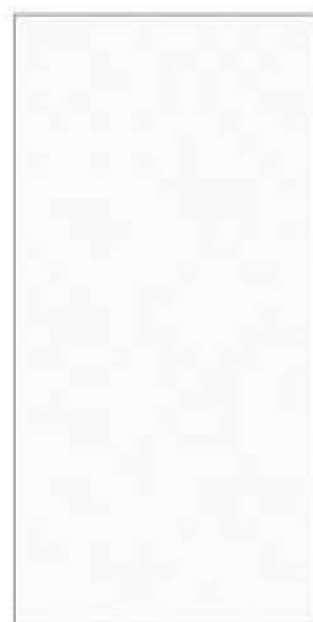
E 156 MAGENTA



E 114 FLAME RED



# LAMINATE TEXTURES



*WHITE*



*GRAY*



*MAPPLE*



*ASHCANDIC*

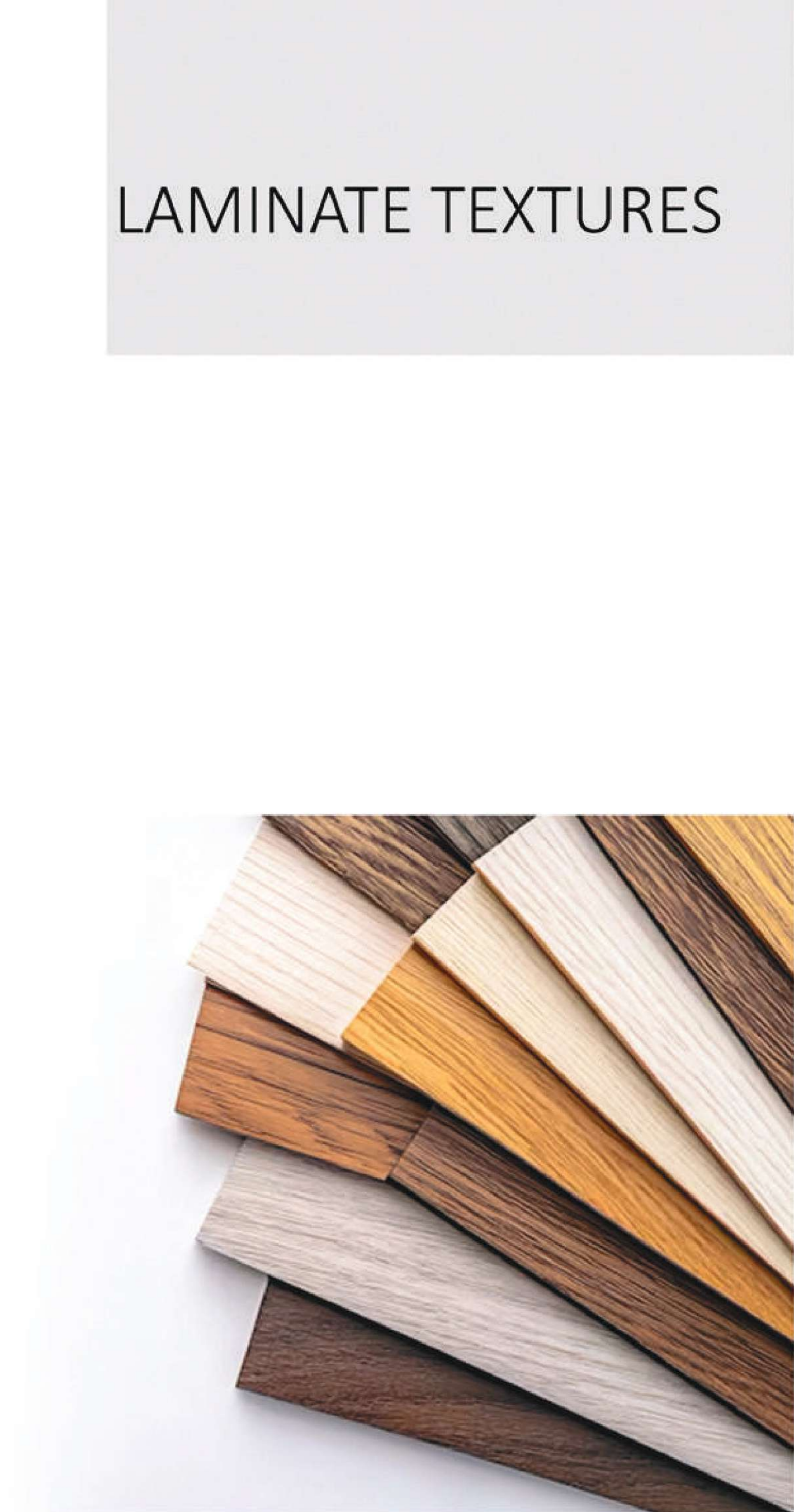


*NOGARD*



*WALNUT*

Laminates are versatile surfacing materials available in a wide variety of colors, patterns, and textures. They are widely used for furniture, cabinets, walls, and other interior applications due to their durability, aesthetics, and affordability



# POWDER COATED LEGS



*WHITE*



*SILVER*



*BLACK*



*BLUE*



*RUBY*



Powder-coated legs are a reliable and stylish choice, offering functionality, aesthetics, and long-term value for various furniture and design needs.

# CERTIFICATIONS

9/28/2020 Print : Udyam Registration Certificate



भारत सरकार  
 Government of India  
 सूक्ष्म, लघु एवं मध्यम उद्यम मंत्रालय  
 Ministry of Micro, Small and Medium Enterprises



## UDYAM REGISTRATION CERTIFICATE



Our small hands to make you LARGE

TYPE OF ENTERPRISE	MICRO	MANUFACTURING																				
UDYAM REGISTRATION NUMBER	UDYAM-GJ-09-0001514																					
NAME OF ENTERPRISE	M/S LE MODULOR PRIVATE LIMITED																					
SOCIAL CATEGORY OF ENTREPRENEUR	General																					
NAME OF UNITS	<table border="1" style="width: 100%; border-collapse: collapse;"> <thead> <tr> <th style="width: 10%;">SNo.</th> <th style="width: 40%;">Udyog Aadhaar Memorandum</th> <th style="width: 50%;">Units Name</th> </tr> </thead> <tbody> <tr> <td>1</td> <td>GJ09A0005523</td> <td>Le Modulo Pvt Ltd</td> </tr> </tbody> </table>		SNo.	Udyog Aadhaar Memorandum	Units Name	1	GJ09A0005523	Le Modulo Pvt Ltd														
SNo.	Udyog Aadhaar Memorandum	Units Name																				
1	GJ09A0005523	Le Modulo Pvt Ltd																				
OFFICIAL ADDRESS OF ENTERPRISE	<table border="1" style="width: 100%; border-collapse: collapse;"> <thead> <tr> <th style="width: 15%;">Flat/Door/Block No.</th> <th style="width: 15%;">1706</th> <th style="width: 20%;">Name of Premises/ Building</th> <th style="width: 50%;">PAIKI-NEAR SMS INDUSTRIES</th> </tr> </thead> <tbody> <tr> <td>Village/Town</td> <td>SANTEJ</td> <td>Block</td> <td>SANTEJ</td> </tr> <tr> <td>Road/Street/Lane</td> <td>SANTEJ-KHATRAJ ROAD</td> <td>City</td> <td>SANTEJ-KALOL</td> </tr> <tr> <td>State</td> <td>GUJARAT</td> <td>District</td> <td>GANDHINAGAR , Pin 382721</td> </tr> <tr> <td>Mobile</td> <td>9825049880</td> <td>Email:</td> <td>LEMODAHM@GMAIL.COM</td> </tr> </tbody> </table>		Flat/Door/Block No.	1706	Name of Premises/ Building	PAIKI-NEAR SMS INDUSTRIES	Village/Town	SANTEJ	Block	SANTEJ	Road/Street/Lane	SANTEJ-KHATRAJ ROAD	City	SANTEJ-KALOL	State	GUJARAT	District	GANDHINAGAR , Pin 382721	Mobile	9825049880	Email:	LEMODAHM@GMAIL.COM
Flat/Door/Block No.	1706	Name of Premises/ Building	PAIKI-NEAR SMS INDUSTRIES																			
Village/Town	SANTEJ	Block	SANTEJ																			
Road/Street/Lane	SANTEJ-KHATRAJ ROAD	City	SANTEJ-KALOL																			
State	GUJARAT	District	GANDHINAGAR , Pin 382721																			
Mobile	9825049880	Email:	LEMODAHM@GMAIL.COM																			
DATE OF INCORPORATION / REGISTRATION OF ENTERPRISE	05/06/2008																					
DATE OF COMMENCEMENT OF PRODUCTION/BUSINESS	05/06/2008																					
NATIONAL INDUSTRY CLASSIFICATION CODE(S)	<table border="1" style="width: 100%; border-collapse: collapse;"> <thead> <tr> <th style="width: 5%;">SNo.</th> <th style="width: 15%;">NIC 2 Digit</th> <th style="width: 15%;">NIC 4 Digit</th> <th style="width: 15%;">NIC 5 Digit</th> <th style="width: 50%;">Activity</th> </tr> </thead> <tbody> <tr> <td>1</td> <td>31 - Manufacture of furniture</td> <td>3100 - Manufacture of furniture</td> <td>31001 - Manufacture of furniture made of wood</td> <td>Manufacturing</td> </tr> <tr> <td>2</td> <td>31 - Manufacture of furniture</td> <td>3100 - Manufacture of furniture</td> <td>31003 - Manufacture of furniture primarily of metal</td> <td>Manufacturing</td> </tr> <tr> <td>3</td> <td>31 - Manufacture of furniture</td> <td>3100 - Manufacture of furniture</td> <td>31009 - Manufacture of other furniture n.e.c.</td> <td>Manufacturing</td> </tr> </tbody> </table>		SNo.	NIC 2 Digit	NIC 4 Digit	NIC 5 Digit	Activity	1	31 - Manufacture of furniture	3100 - Manufacture of furniture	31001 - Manufacture of furniture made of wood	Manufacturing	2	31 - Manufacture of furniture	3100 - Manufacture of furniture	31003 - Manufacture of furniture primarily of metal	Manufacturing	3	31 - Manufacture of furniture	3100 - Manufacture of furniture	31009 - Manufacture of other furniture n.e.c.	Manufacturing
SNo.	NIC 2 Digit	NIC 4 Digit	NIC 5 Digit	Activity																		
1	31 - Manufacture of furniture	3100 - Manufacture of furniture	31001 - Manufacture of furniture made of wood	Manufacturing																		
2	31 - Manufacture of furniture	3100 - Manufacture of furniture	31003 - Manufacture of furniture primarily of metal	Manufacturing																		
3	31 - Manufacture of furniture	3100 - Manufacture of furniture	31009 - Manufacture of other furniture n.e.c.	Manufacturing																		
DATE OF UDYAM REGISTRATION	26/09/2020																					

Disclaimer: This is computer generated statement, no signature required.  
 Printed from <https://udyamregistration.gov.in>

For any assistance, you may contact:

1. DIC	GANDHINAGAR
2. MSME-DI	AHMEDABAD



BE A  
CHAMPION  
with the  
Ministry of  
MSME

Visit : [www.msme.gov.in](http://www.msme.gov.in) ; [www.dcmsme.gov.in](http://www.dcmsme.gov.in) ; [www.champions.gov.in](http://www.champions.gov.in)

Follow us @minmsme & @msmechampions

<https://udyamregistration.gov.in/PrintApplication.aspx?fdrn=BV30sLgbsacbZj6Cr5D5A==>



## Certificate of Registration

This is to certify that  
 The Quality Management System of  
**LE MODULOR PVT. LTD.**

**1706, PAIKI, NEAR SMS INDUSTRIES, SANTEJ - KHATRAJ ROAD,  
 SANTEJ - 382721, TA- KALOL, DIST. GANDHINAGAR, GUJARAT, INDIA**

has been assessed and found to be in accordance with the  
 requirements of the management system standard

# ISO 9001:2015

for the following scope :

DESIGN, MANUFACTURE AND SUPPLY OF MODULOR FURNITURE  
 & MATERIALS, SUPERVISION & EXECUTION

CERTIFICATE No. : 20AZAG 1902Q

ISSUED DATE : 14/10/2020	1ST SURVEILLANCE : 13/09/2021
EXPIRY DATE : 13/10/2023	2ND SURVEILLANCE : 13/09/2022

  
 Managing Director

UAF IS FULL MEMBER OF IAF

Accreditation No - 51812400122  
 Accredited By United Accreditation Foundation (UAF)  
 400 North Center Dr, Ste 202 Norfolk, Va 23502,  
 United States of America (USA)



For BMG Conformity Assessment Services Pvt. Ltd.  
 C-33B, 2nd Floor, Sector-10, Noida-201301, G.B. Nagar, (U.P.)

This Certificate is intellectual Property of BMG and can be maintained through surveillance and renewal audits.  
 Certificate should be returned to BMG in case of non compliance of certification procedure.  
 Authenticity & Status of this certificate can be verified at [www.bmgcertification.com](http://www.bmgcertification.com) or <http://uafaccreditation.org>

## CERTIFICATIONS



Confederation of Indian Industry

### ***CII-Green Products and Services Council***

*hereby certifies that*

#### **CENTER TABLE**

(GPLMP685008)

*Manufactured by Le Modulo Private Limited at Gandhinagar, Gujarat meets  
the requirements of GreenPro Ecolabel and qualifies as Green Product.*

*This certification is valid till **December 2027***

**Jamshyd N Godrej**  
Chairman, CII-Godrej GBC

**A R Unnikrishnan**  
Chairman, CII-Green Products & Services Council

**K S Venkatagiri**  
Executive Director, CII-Godrej GBC

*Supporting Council and programmes*



## CERTIFICATIONS



Confederation of Indian Industry

### *CII-Green Products and Services Council*

*hereby certifies that*

**CAFÉ TABLE /PANTRY TABLE**

(GPLMP685009)

*Manufactured by Le Modulo Private Limited at Gandhinagar, Gujarat meets  
the requirements of GreenPro Ecolabel and qualifies as Green Product.*

*This certification is valid till **December 2027***

**Jamshyd N Godrej**  
Chairman, CII-Godrej GBC

**A R Unnikrishnan**  
Chairman, CII-Green Products & Services Council

**K S Venkatagiri**  
Executive Director, CII-Godrej GBC

*Supporting Council and programmes*



## CERTIFICATIONS



Confederation of Indian Industry

### *CII-Green Products and Services Council*

*hereby certifies that*

#### **MEETING TABLE**

(GPLMP685010)

*Manufactured by Le Modulo Private Limited at Gandhinagar, Gujarat meets  
the requirements of GreenPro Ecolabel and qualifies as Green Product.*

*This certification is valid till **December 2027***

**Jamshyd N Godrej**  
Chairman, CII-Godrej GBC

**A R Unnikrishnan**  
Chairman, CII-Green Products & Services Council

**K S Venkatagiri**  
Executive Director, CII-Godrej GBC

*Supporting Council and programmes*



## CERTIFICATIONS



Confederation of Indian Industry

### *CII-Green Products and Services Council*

*hereby certifies that*

#### **CONFERENCE TABLE**

(GPLMP685011)

*Manufactured by Le Modulo Private Limited at Gandhinagar, Gujarat meets  
the requirements of GreenPro Ecolabel and qualifies as Green Product.*

*This certification is valid till **December 2027***

**Jamshyd N Godrej**  
Chairman, CII-Godrej GBC

**A R Unnikrishnan**  
Chairman, CII-Green Products & Services Council

**K S Venkatagiri**  
Executive Director, CII-Godrej GBC

*Supporting Council and programmes*



## CERTIFICATIONS



Confederation of Indian Industry

### *CII-Green Products and Services Council*

*hereby certifies that*

#### **RECEPTION TABLE**

(GPLMP685012)

*Manufactured by Le Modulo Private Limited at Gandhinagar, Gujarat meets  
the requirements of GreenPro Ecolabel and qualifies as Green Product.*

*This certification is valid till **December 2027***

**Jamshyd N Godrej**  
Chairman, CII-Godrej GBC

**A R Unnikrishnan**  
Chairman, CII-Green Products & Services Council

**K S Venkatagiri**  
Executive Director, CII-Godrej GBC

*Supporting Council and programmes*



## CERTIFICATIONS



Confederation of Indian Industry

### *CII-Green Products and Services Council*

*hereby certifies that*

#### **WORK STATION**

(GPLMP685013)

*Manufactured by Le Modulo Private Limited at Gandhinagar, Gujarat meets  
the requirements of GreenPro Ecolabel and qualifies as Green Product.*

*This certification is valid till **December 2027***

**Jamshyd N Godrej**  
Chairman, CII-Godrej GBC

**A R Unnikrishnan**  
Chairman, CII-Green Products & Services Council

**K S Venkatagiri**  
Executive Director, CII-Godrej GBC

*Supporting Council and programmes*



## CERTIFICATIONS



Confederation of Indian Industry

### ***CII-Green Products and Services Council***

*hereby certifies that*

#### **BRANCH MANAGER TABLE WITH DRAWER UNIT**

(GPLMP685001)

*Manufactured by Le Modulo Private Limited at Gandhinagar, Gujarat meets  
the requirements of GreenPro Ecolabel and qualifies as Green Product.*

*This certification is valid till **December 2027***

**Jamshyd N Godrej**  
Chairman, CII-Godrej GBC

**A R Unnikrishnan**  
Chairman, CII-Green Products & Services Council

**K S Venkatagiri**  
Executive Director, CII-Godrej GBC

*Supporting Council and programmes*



## CERTIFICATIONS



Confederation of Indian Industry

### ***CII-Green Products and Services Council***

*hereby certifies that*

**OPERATION HEAD TABLE WITH DRAWER UNIT,  
(GPLMP685002)**

*Manufactured by Le Modulo Private Limited at Gandhinagar, Gujarat meets  
the requirements of GreenPro Ecolabel and qualifies as Green Product.*

*This certification is valid till **December 2027***

**Jamshyd N Godrej**  
Chairman, CII-Godrej GBC

**A R Unnikrishnan**  
Chairman, CII-Green Products & Services Council

**K S Venkatagiri**  
Executive Director, CII-Godrej GBC

*Supporting Council and programmes*



## CERTIFICATIONS



Confederation of Indian Industry

### ***CII-Green Products and Services Council***

*hereby certifies that*

#### **BACK OFFICE TABLE WITH DRAWER UNIT**

(GPLMP685003)

*Manufactured by Le Modulo Private Limited at Gandhinagar, Gujarat meets  
the requirements of GreenPro Ecolabel and qualifies as Green Product.*

*This certification is valid till **December 2027***

**Jamshyd N Godrej**  
Chairman, CII-Godrej GBC

**A R Unnikrishnan**  
Chairman, CII-Green Products & Services Council

**K S Venkatagiri**  
Executive Director, CII-Godrej GBC

*Supporting Council and programmes*



## CERTIFICATIONS



Confederation of Indian Industry

### ***CII-Green Products and Services Council***

*hereby certifies that*

**BACK OFFICE PEDESTAL UNIT WITH 3-DRAWER**

(GPLMP685004)

*Manufactured by Le Modulo Private Limited at Gandhinagar, Gujarat meets  
the requirements of GreenPro Ecolabel and qualifies as Green Product.*

*This certification is valid till **December 2027***

**Jamshyd N Godrej**  
Chairman, CII-Godrej GBC

**A R Unnikrishnan**  
Chairman, CII-Green Products & Services Council

**K S Venkatagiri**  
Executive Director, CII-Godrej GBC

*Supporting Council and programmes*



## CERTIFICATIONS



Confederation of Indian Industry

### ***CII-Green Products and Services Council***

*hereby certifies that*

#### **Table With Below MS Structure**

(GPLMP685005)

*Manufactured by Le Modulo Private Limited at Gandhinagar, Gujarat meets  
the requirements of GreenPro Ecolabel and qualifies as Green Product.*

*This certification is valid till **December 2027***

**Jamshyd N Godrej**  
Chairman, CII-Godrej GBC

**A R Unnikrishnan**  
Chairman, CII-Green Products & Services Council

**K S Venkatagiri**  
Executive Director, CII-Godrej GBC

*Supporting Council and programmes*



## CERTIFICATIONS



Confederation of Indian Industry

### *CII-Green Products and Services Council*

*hereby certifies that*

#### **AIDE STORAGE**

(GPLMP685006)

*Manufactured by Le Modulo Private Limited at Gandhinagar, Gujarat meets  
the requirements of GreenPro Ecolabel and qualifies as Green Product.*

*This certification is valid till **December 2027***

**Jamshyd N Godrej**  
Chairman, CII-Godrej GBC

**A R Unnikrishnan**  
Chairman, CII-Green Products & Services Council

**K S Venkatagiri**  
Executive Director, CII-Godrej GBC

*Supporting Council and programmes*



## CERTIFICATIONS



Confederation of Indian Industry

### ***CII-Green Products and Services Council***

*hereby certifies that*

#### **BACK STORAGE**

(GPLMP685007)

*Manufactured by Le Modulo Private Limited at Gandhinagar, Gujarat meets  
the requirements of GreenPro Ecolabel and qualifies as Green Product.*

*This certification is valid till **December 2027***

**Jamshyd N Godrej**  
Chairman, CII-Godrej GBC

**A R Unnikrishnan**  
Chairman, CII-Green Products & Services Council

**K S Venkatagiri**  
Executive Director, CII-Godrej GBC

*Supporting Council and programmes*



# CONTACT

**Marketing Head-**  
Dhiren Vyas  
Phone: +91 9099021676

**Email:**  
lemodahm@gmail.com

**Production Head-**  
Kamlesh Gajjar  
Phone: +91 9099912522

**Email:**  
kamlesh.lemodulo@gmail.com

**Address:-**  
1706 Paiki, Near SMS Industries,  
Santej Khatrej Road Santej,  
Taluka:, District:, Kalol,  
Ahmedabad,  
Gujarat 382721

**Visit@**  
www.lemodulo.co.in

